



*Shenzhen Orient Components Co., Ltd*

---

---

---

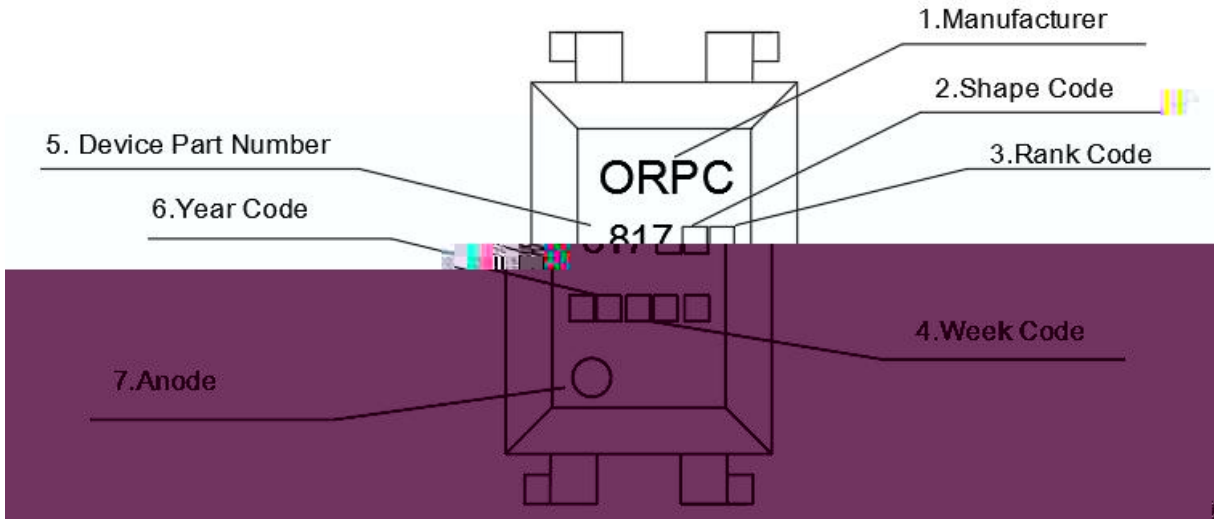




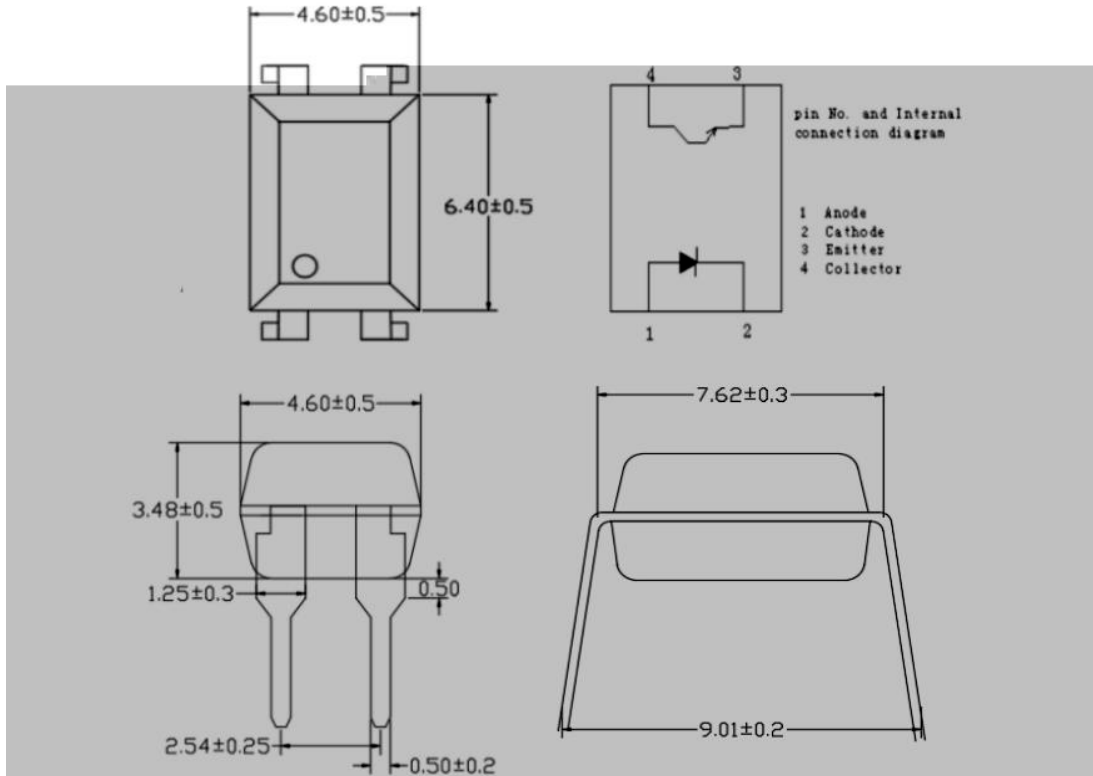
5. E -O a C a a (Ta=25 )

Pa a		S b	C	M	T .*	Ma	U
I							
O							
T a C a a							





(1) ORPC-817



(2) ORPC-817M

