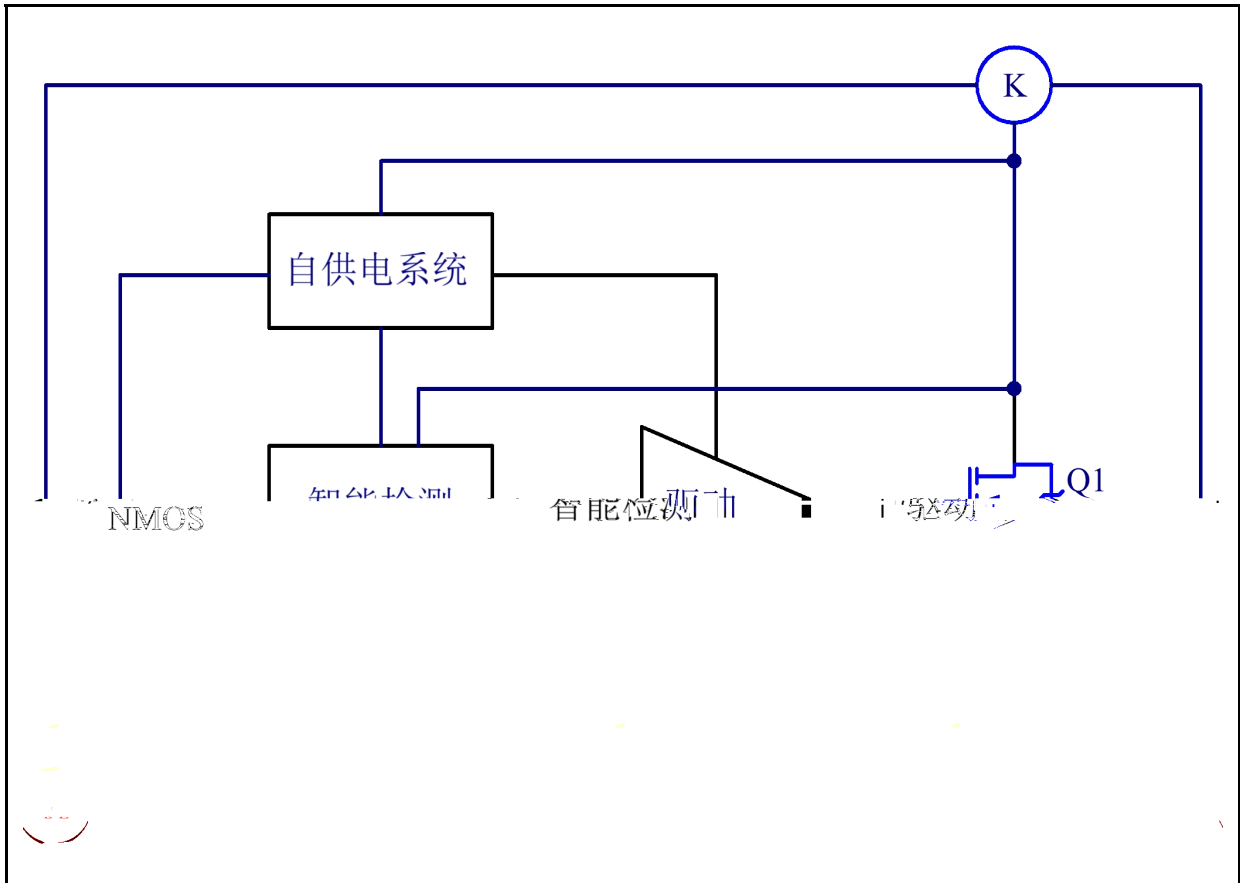


DK5V60R20S	85-265VAC	9V, 2.4A



&						
NMOS						

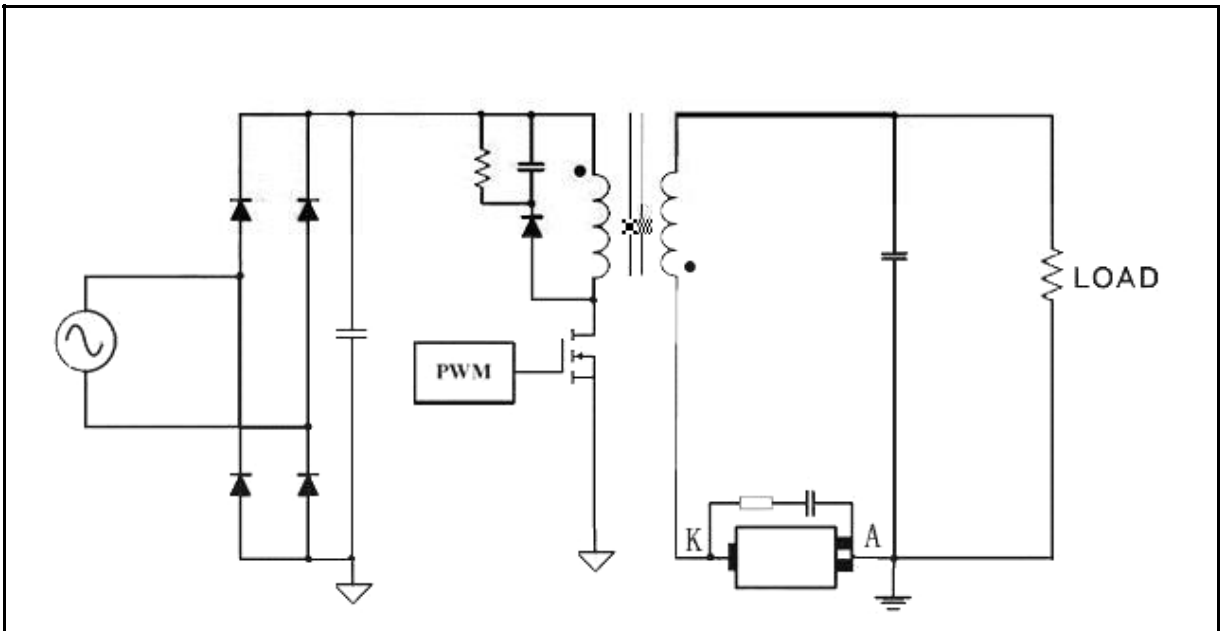
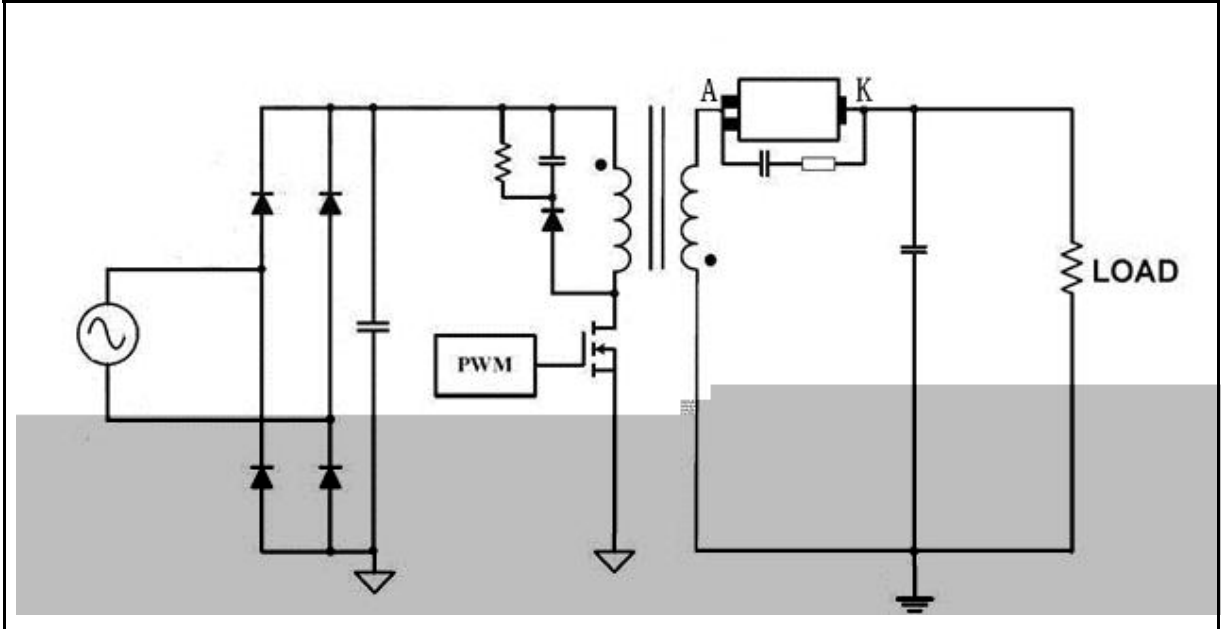
NMOS

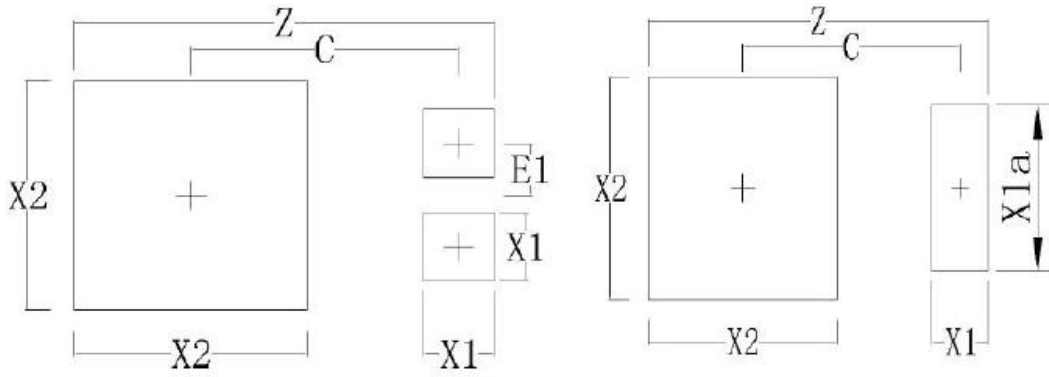
RC

NMOS


●

●





Symbol	Dimensions In Millimeters

 <p>WARNING! ESD SENSITIVE DEVICE</p>	ESD
---	-----

-
-
-
-
-
-
-

-