



C

C , L

- C304 (L)/306 (L)/308 (L)

IE

D

C : - C304 (L)/306 (L)/308 (L)
C : _____
D : _____

一级代理商：

深圳市弗瑞鑫电子有限公司

地址：深圳市宝安区西乡大道302号金源商务大厦B座三楼

frxelec

1.

- (1) H (:5000)
- (2) 6 -
- (3) H - D .
 C304 : .400; C306 : .600; C308 : .800
- (4) H - (/ : I .1000 /)
- (5) H D - - ;
- (6) -40 +110
- (7)



L (.E323844)
 DE (.40029733)
 C C (.C C19001231480)

- (8) I H , EACH
- (9) LL 1

2.

- C304 (L)/306 (L)/308 (L) G A

3.

- (1)AC D (2)AC (3) (4)L C
- (5) / C (6) (7) C

4.

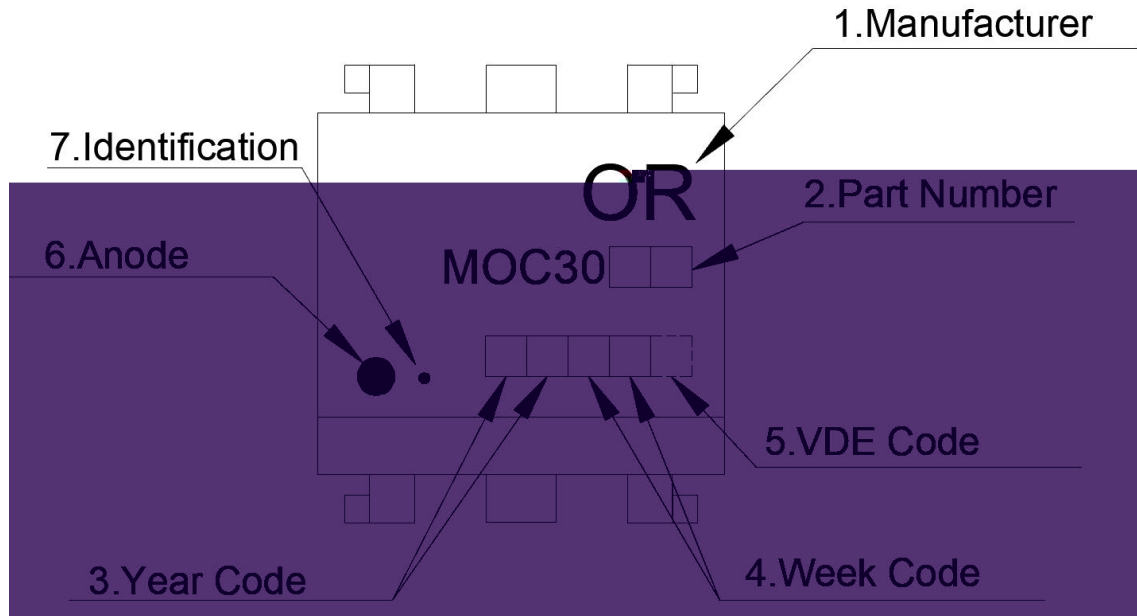
I	F C	I _F	50	A
	J	J	125	
			6	
	D		120	
-	- C304	D	400	
	- C306		600	
	- C308		800	
	C (=1 120)	I ₁	1	A
	- C	I ()	100	A
	J	J	125	
	C D	c	150	
D			250	
*I			5000	
			-40 +110	
D			-55 +125	
*2			260	

*1 AC 1 , .H.= 40 60% .H.I , 1,2&3 , 4,6
 *2 F 10

5.

I	F	F	---	1.2	1.6	$I_F=20 \text{ A}$	
	C	I	---	---	5	A $=6$	
	1. B C ,E D	I_D	---	---	500	A $I_D =$ D	
	- D ,E	-	---	---	3.0	$I = 100 \text{ A}$	
	2.C -	/	1000	---	---	/ $=240$	
C	3.L C ,C D ,E L	- C3040	I_F	---	---	A $= 3$	
		- C3060					30
		- C3080					15
		- C3041					
		- C3061					
		- C3081					10
		- C3042					
		- C3062					
		- C3082					5
		- C3043					
- C3063							
- C3083	3						
- C3044							
- C3064							
- C3084							
	H C ,E D	I_H	---	400	---	A	
E C I G	I	I_H	---	5	20	$I_F =$ 2 $I_F,$ 1-	
	L I	I_D	2	---	---	500 A $I_F =$ D , $I_F,$	

7.



1. Manufacturer : IE .

2. Part Number : C30 [][] .

3. Year Code : [][] '21' '2021' .

4. Week Code : [][] 01 , 02 .

5. VDE Code : [][] . ()

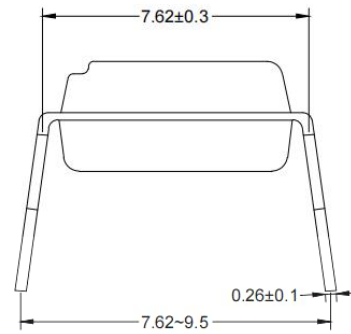
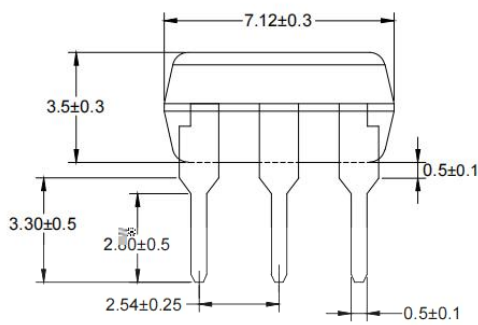
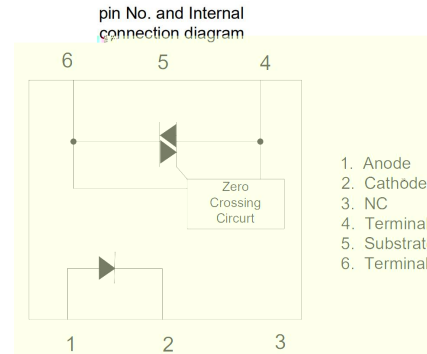
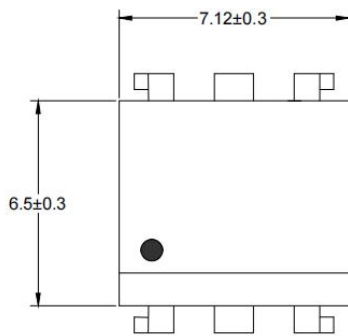
6. Anode .

7. Identification .

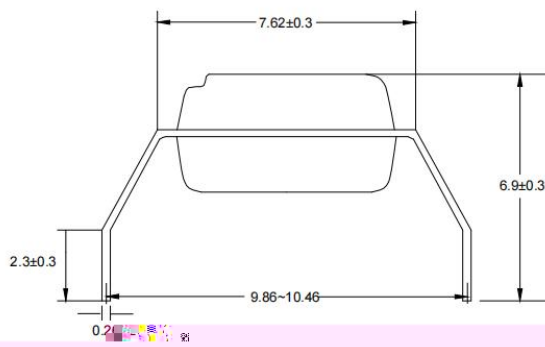
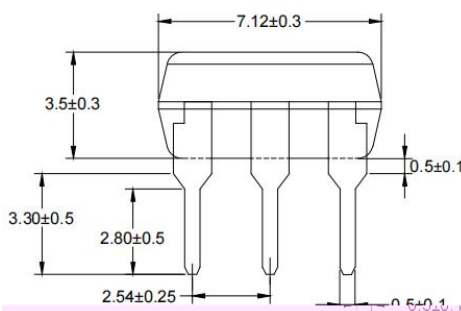
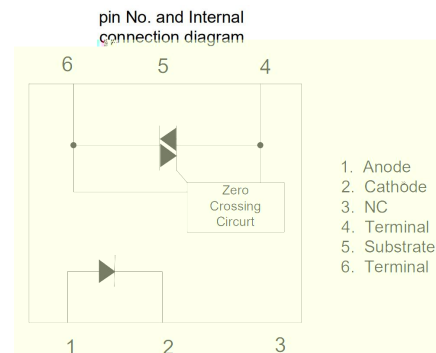
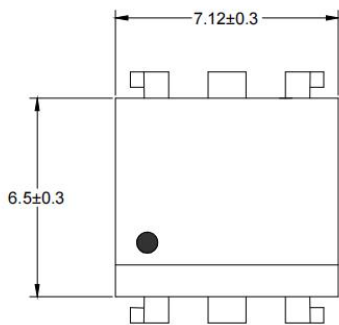
* DE C .

8.

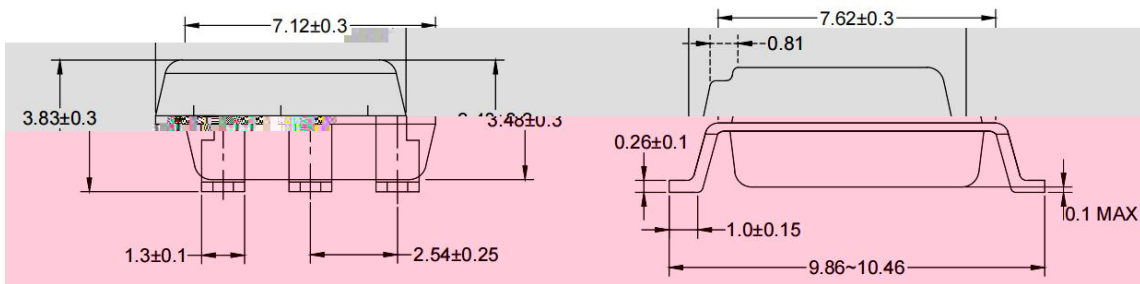
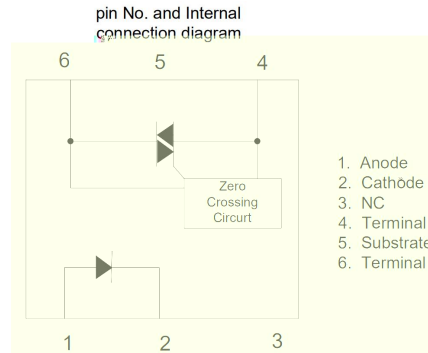
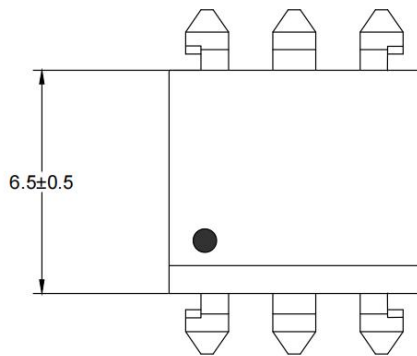
(1). C30



(2). C30

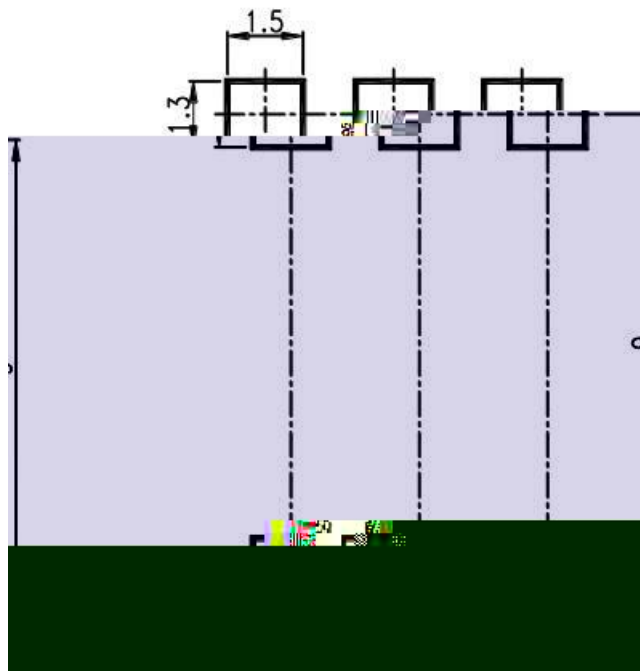


(3). C30

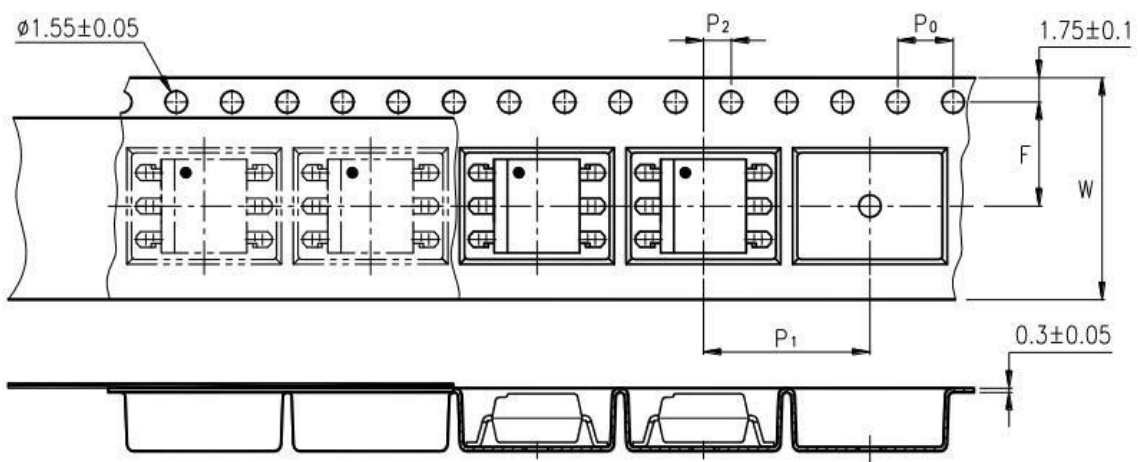
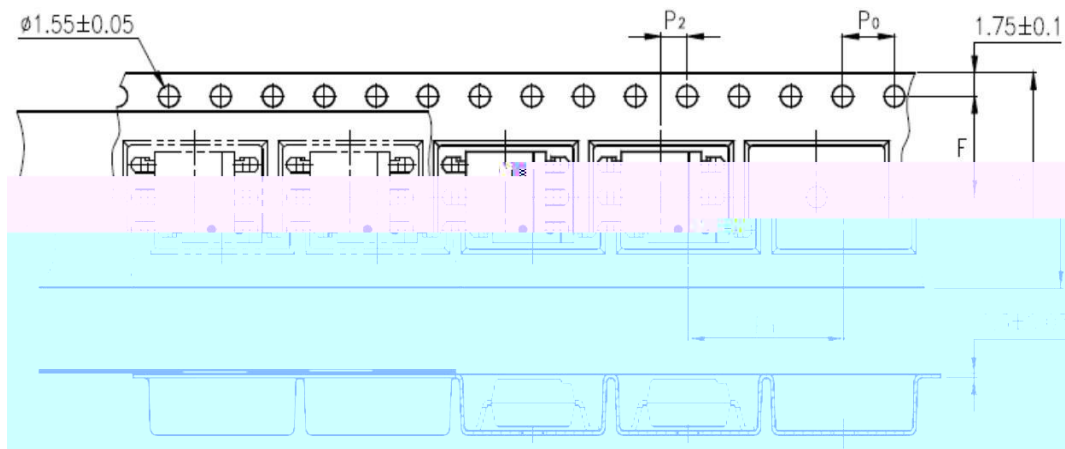


9.

Unit: mm



10.



D		D ()
		16 0.3 (0.63)
	0	4 0.1 (0.15)
D	F	7.5 0.1 (0.295)
	2	2 0.1 (0.079)
D	1	12 0.1 (0.472)

	A/ A1
()	1000

11.

DI

Packing Information	

Packing Information	






Material Code : 120PCXXXXXX
|||||

P/N: OR-XXXXXX
|||||

Lot No.: XXXXXX-XXXXX-TX-X
|||||

D/C: XXXX
|||||

Qty: XXXX PCS
|||||

内箱码

外箱码

“XXXXXXXXXXXXXXXXXX” (一体机序列码)

Made in China

1. — C : " ID.
2. / :C " ID.
3. I " ID.
4. L .: .
5. D/C : .

12.

(1).I (JEDEC- D-020C)

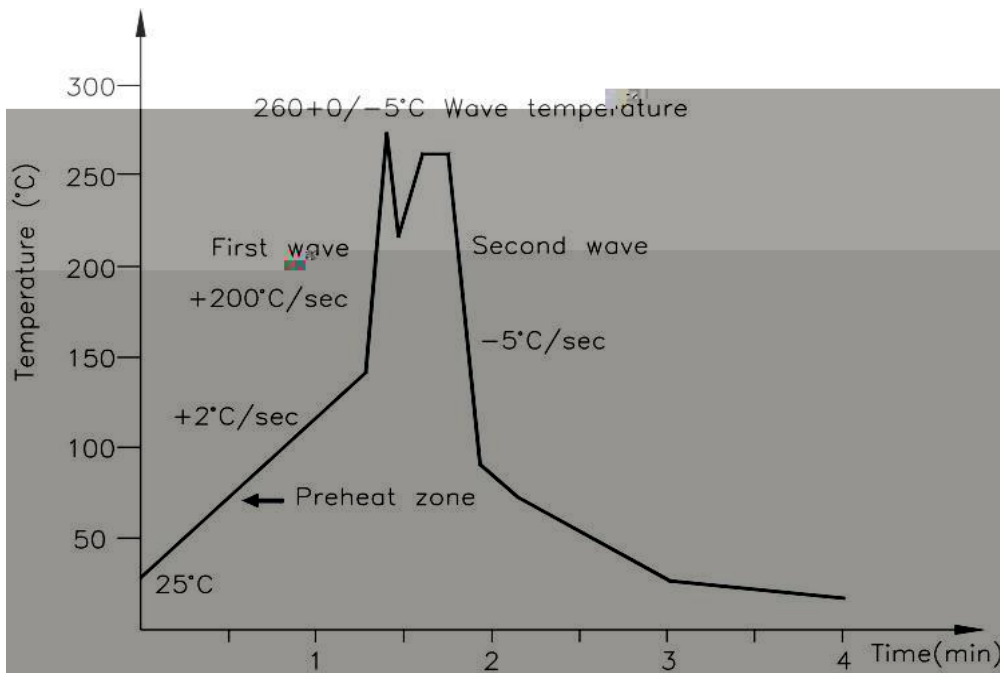
. D

-	— ()	150 C
-	— ()	200 C
-	() ()	90 30

-	(L)	217 C
-	7 DUBH(DIX)H	60

		260 C _b
		20
-		3 C/ .
-		

	260+0/-5 C
	10
	5 140 C
	30 80



A

--	--

13.

Fig.1 Forward Current vs.

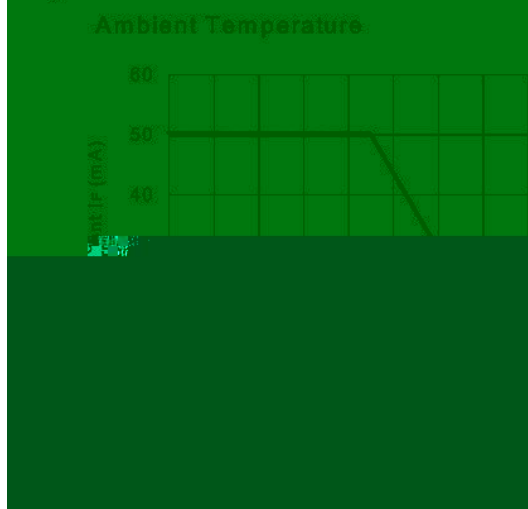


Fig.2 On-state Current vs. Ambient Temperature

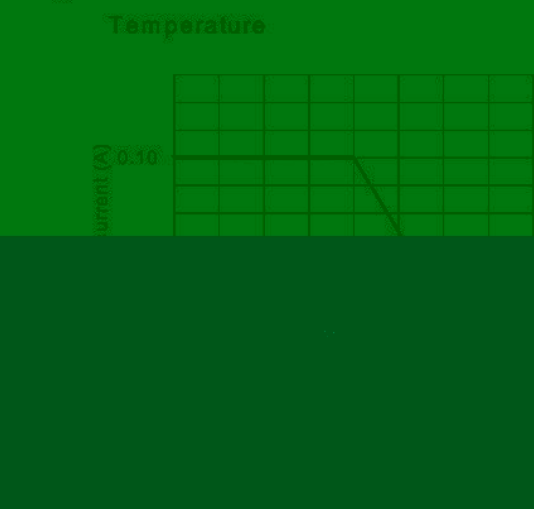


Fig.3 Minimum Trigger Current vs. Ambient Temperature

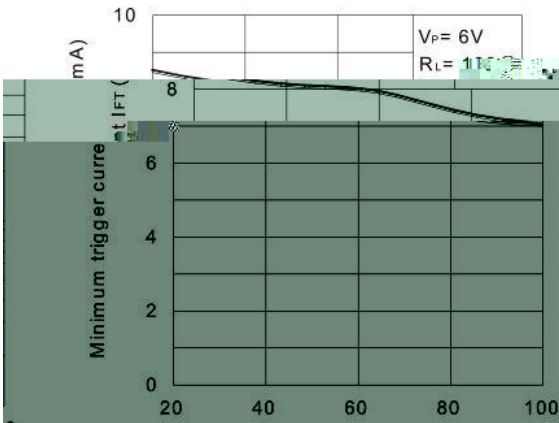


Fig.4 Forward Current vs. Forward Voltage

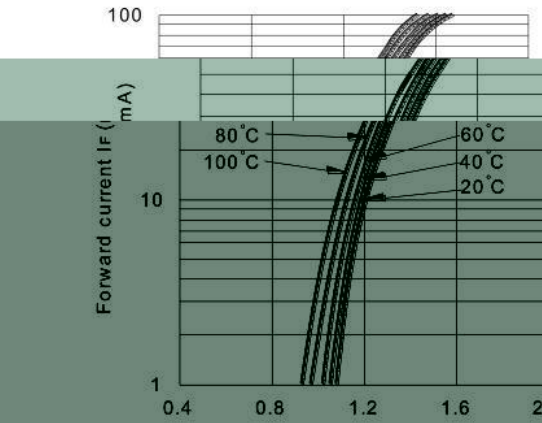


Fig.5 On-state Voltage vs. Ambient Temperature

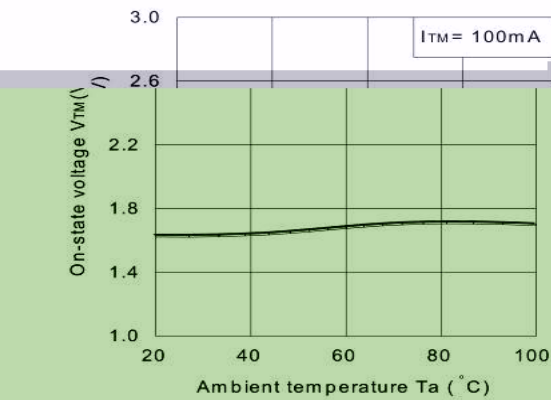


Fig.6 Holding Current vs. Ambient Temperature

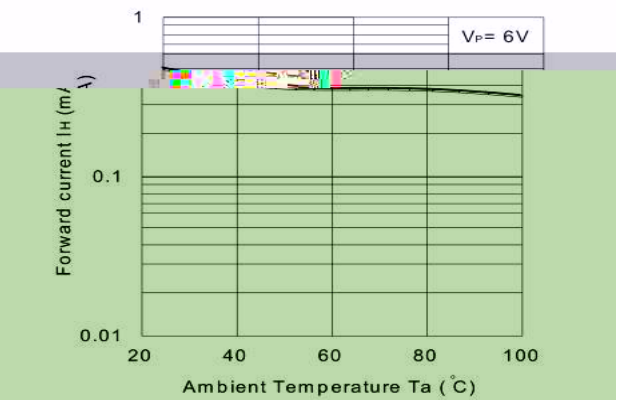


Fig.7 Repetitive Peak Off-state Current vs. Temperature

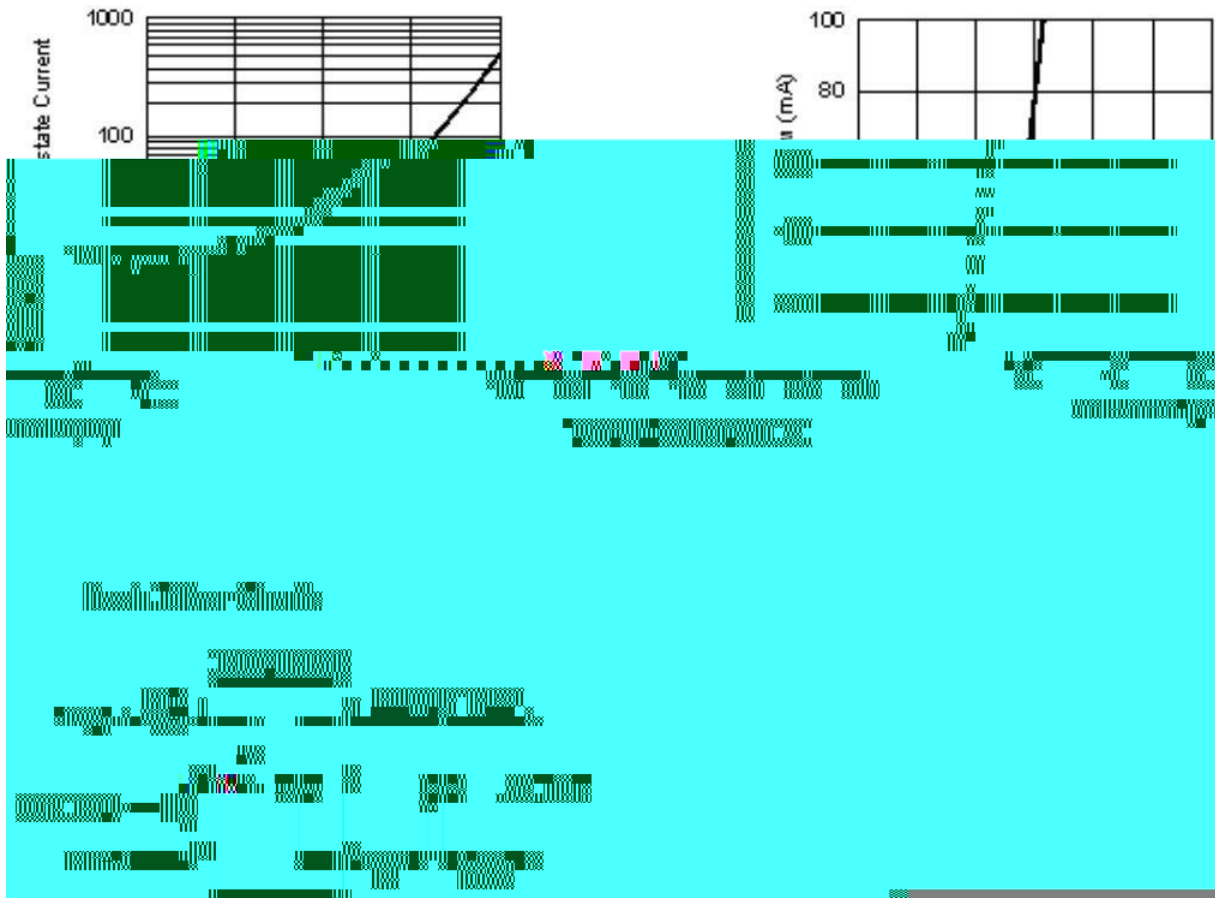


Fig.8 On-state Current vs. On-state Voltage

