



TD356 Series

SOP4, DC Input Photo Transistor Coupler

Description

! " \$ %

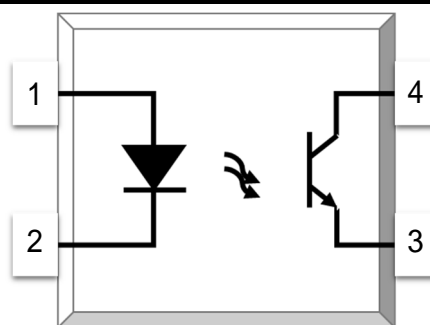
Features

& ' () * +
, * - %
,
00 (/ ,
* 1 , &
&
+ 2 0
* %
32 . 320 ''
) 1 . 14 (' ' . . 5) 1 (66 . 7
, 8 , 9 : ; "0\$: 66;6

Applications

-
-
- &
- <

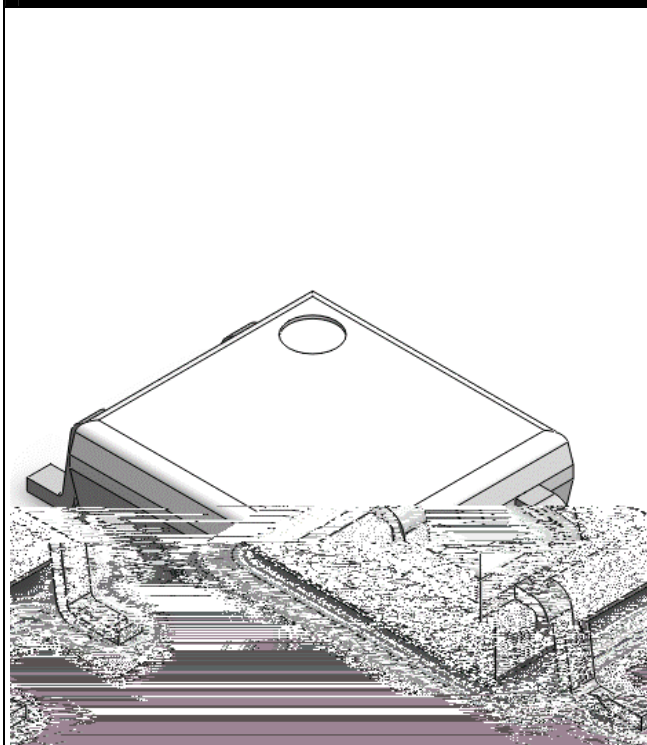
SCHEMATIC



PIN DEFINITION

1. Anode
2. Cathode
3. Emitter
4. Collector

PAC A!E O"T#INE





TD356 Series

SOP4, DC Input Photo Transistor Coupler

A 'SO#"TE MA(IM"M)ATIN!S				
* +1 1*	=+: 2) 231	34>	4 1
>4 3				
?	>?	(
!?	>?	0		0
* %))*)	
>	>	0((#	
3 3				
, . 1)),1	6()	
1 . ,))1,	')	
, ,	> ,	(
		0 (#	
, ++ 4				
		@((#	
>))	((()	@
		. A00(/,	
		. A0@	/,	
		@ (/,	



TD356 Series

SOP4, DC Input Photo Transistor Coupler

ELECTRICAL CHARACTERISTICS at Ta = 25°C							
* +1 1*	=+ : 2	+>4	= " + B" 34>	1 , 4 > > 4	4 1		
>4 3							
?))?	.	0"@	0")	>?C0(
* % ,	>*	.	.	0(D))*C)
> ,	,	.	0(.	?))C(\$ CO!&E
3 3							
,	!	>,1	.	.	0(()),1C@(\$>?C(
,	.1	:),1	6(.	.)	>,C("0 \$>?C(
1	"	:),1,	'	.	.)	>1C("0 \$>?C(
* 4 ?1* , & * , 1*> > ,							
,	:	,	,	*	F	>?C	\$),1C)
*	0	:	0	0	@	0@	
:	0	,	0	0	@	@	
,	0	0	@	@	@	@	
,	.1),15 7	.	("	("@)	>?C@(\$>,CO
>	*	*,>	0(GO@	0(GO	.	H	, (()\$ (A (F *"&"
?	,	,>	.	("	0	?)C(\$ CO+&E
,	. ? <		.	6(.	!&E),1C@)\$>,C@ *2CO((H\$. :
*	5* 7		.		06	D),1C@)\$>,C@
*	5? 7		.		06	D	*2CO((H



TD356 Series

SOP4, DC Input Photo Transistor Coupler

CHARACTERISTICS - ES

Fig. 1 Forward Current vs. Ambient Temperature

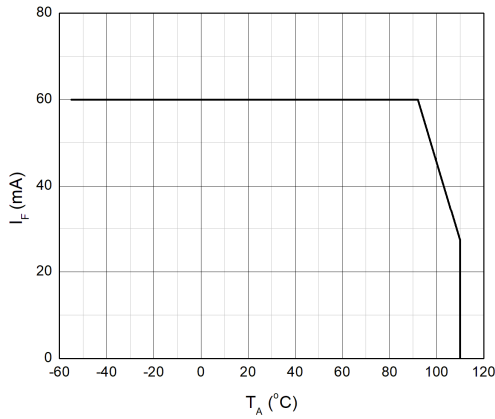


Fig. 2 Collector Power Dissipation vs. Ambient Temperature

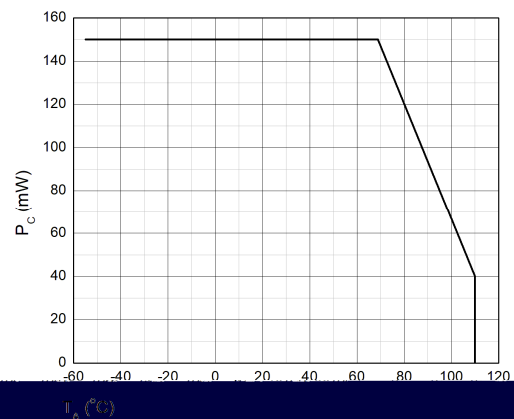


Fig. 3 Forward Current vs. Forward Voltage

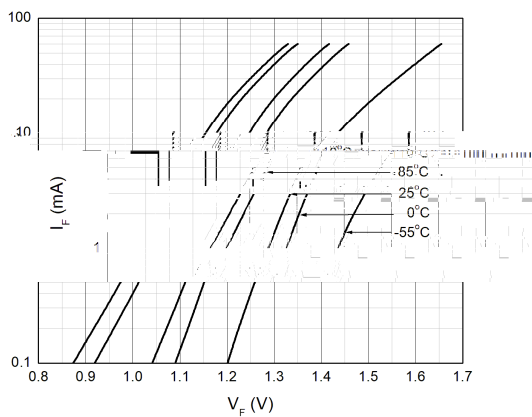


Fig. 4 Collector Dark Current vs. Ambient Temperature

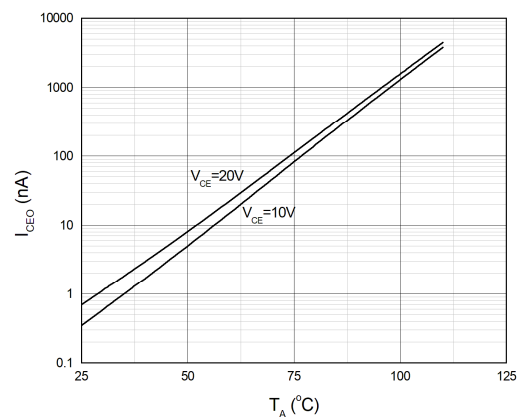


Fig. 5 Collector Current vs. Collector-Emitter Voltage

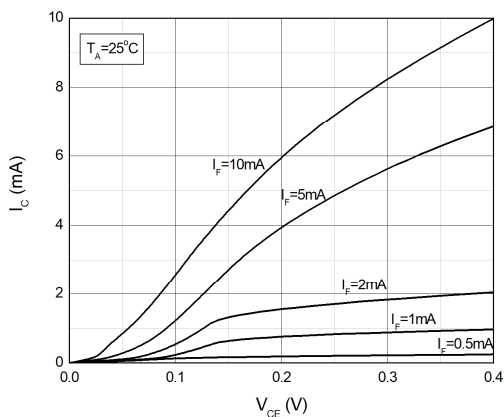
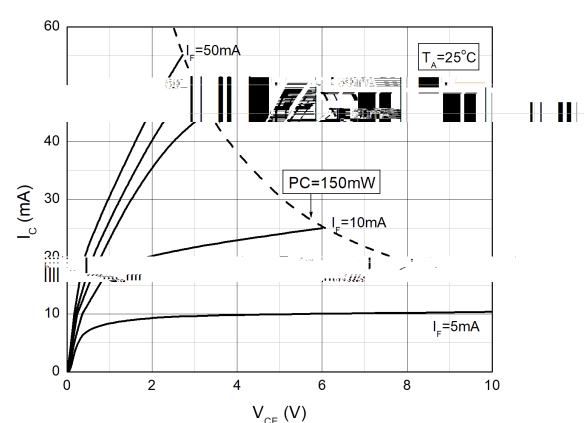


Fig. 6 Collector Current vs. Collector-Emitter Voltage





TD356 Series

SOP4, DC Input Photo Transistor Coupler

CHARACTERISTICS

Fig. 5 Normalized Current Transfer Ratio vs. Forward Current

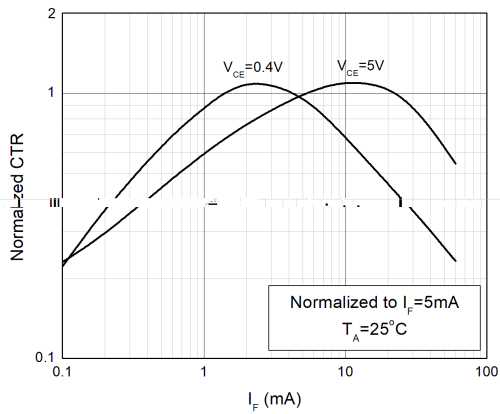


Fig. 8 Normalized Current Transfer Ratio vs. Ambient Temperature

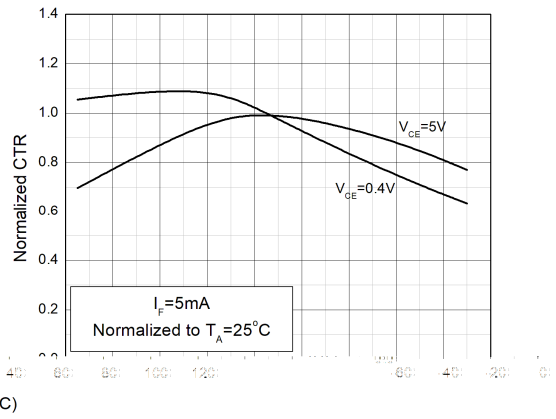


Fig. 9 Collector-Emitter Saturation Voltage vs. Ambient Temperature

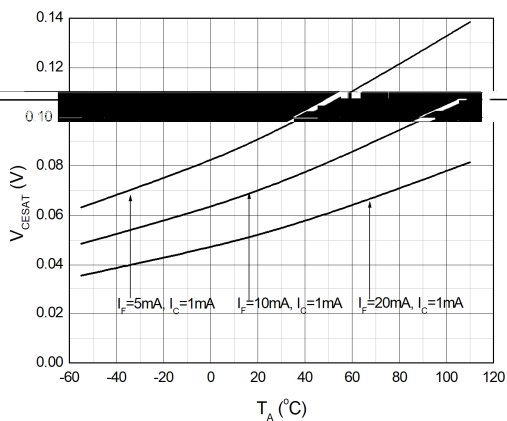


Fig. 10 Switching Time vs. Load Resistance

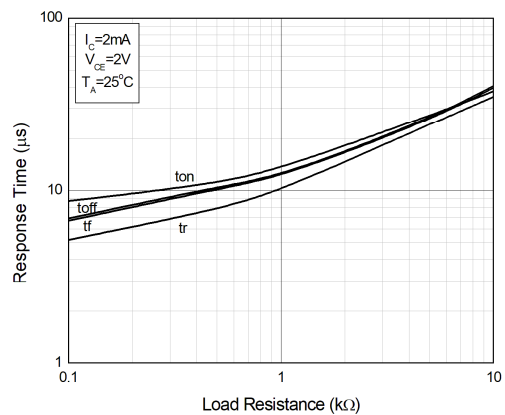
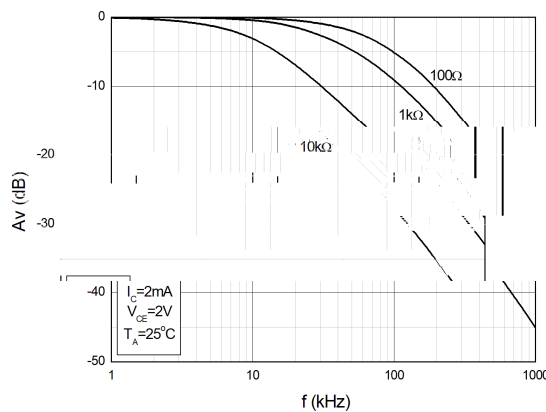


Fig. 11 Frequency Response





TD356 Series

SOP4, DC Input Photo Transistor Coupler

TEST CIRCUITS

Fig. 12 Test Circuit of β_{on} Time

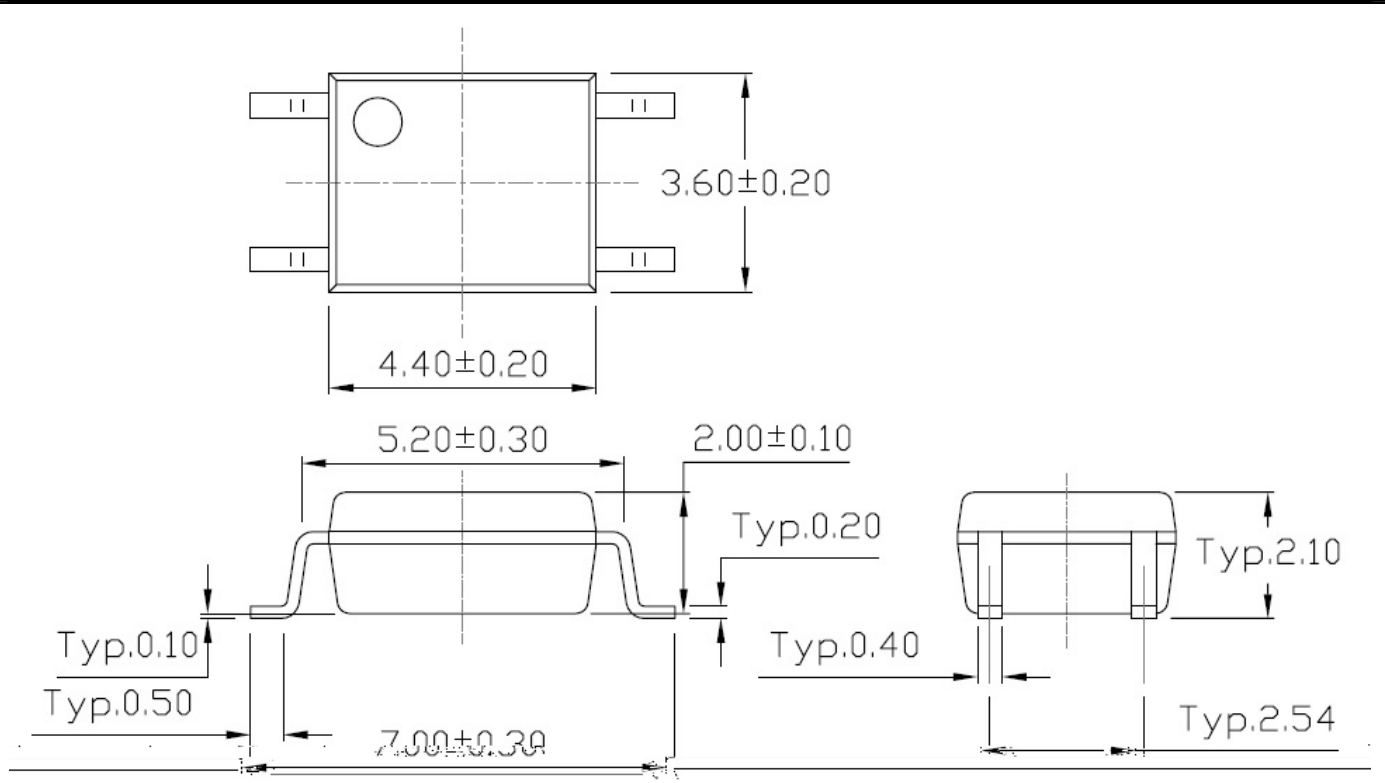
Fig. 13 Circuit of β_{off} Time



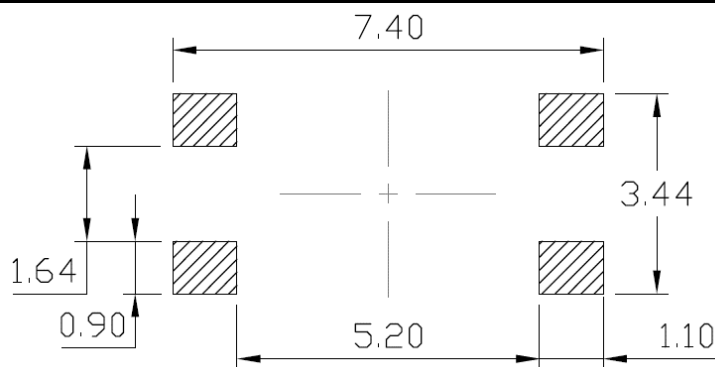
TD356 Series

SOP4, DC Input Photo Transistor Coupler

PACKAGE DIMENSIONS (Dimensions in mm unless otherwise stated)



Recommended Solder Mask (Dimensions in mm unless otherwise stated)



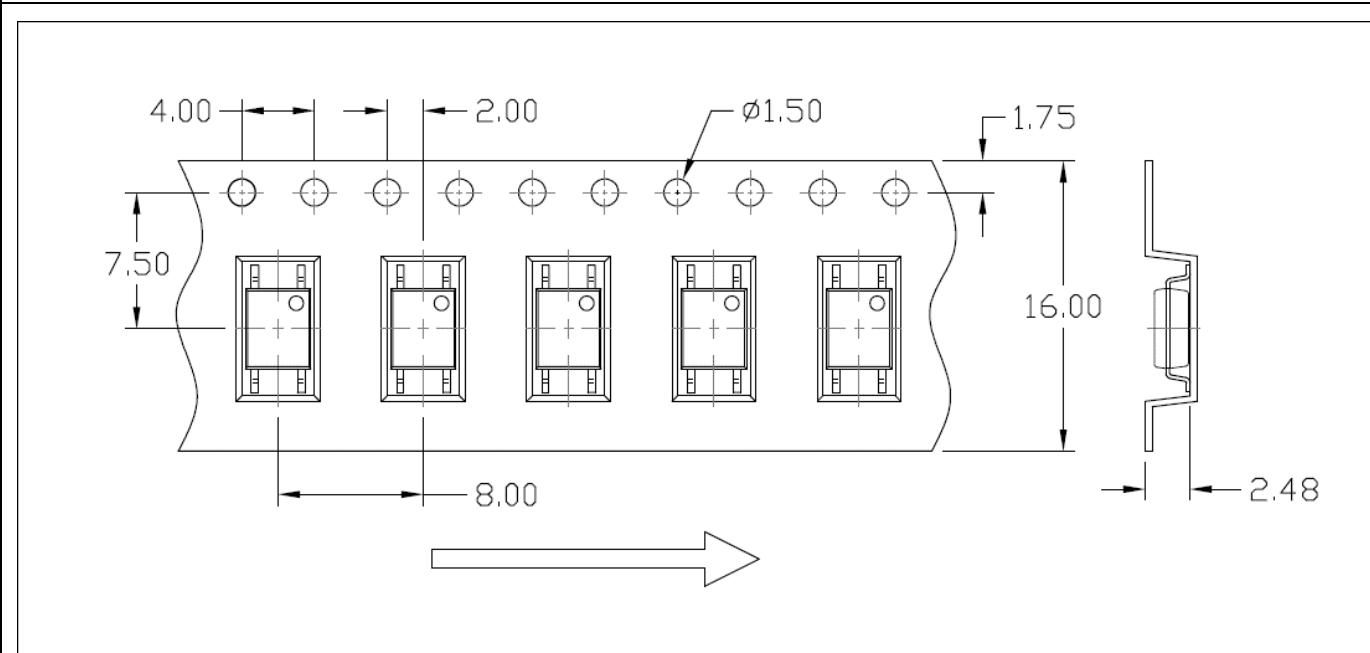


TD356 Series

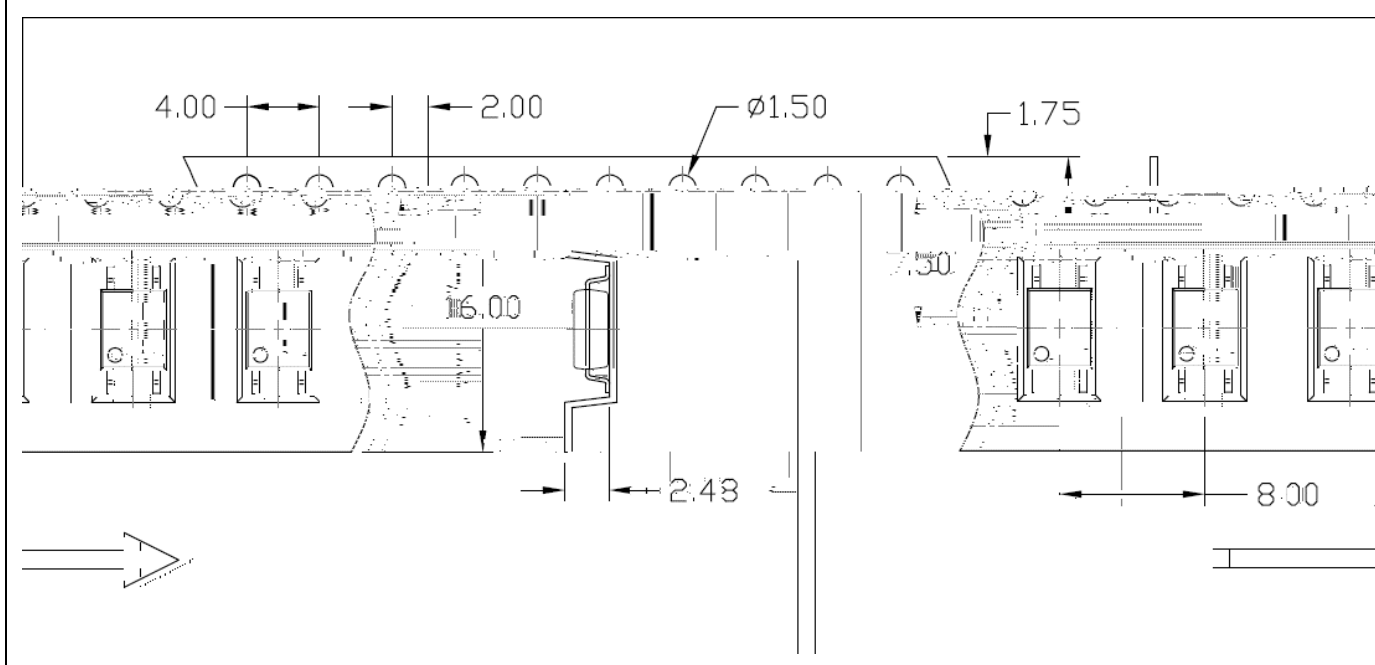
SOP4, DC Input Photo Transistor Coupler

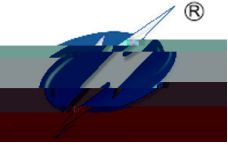
TAPE SPECIFICATIONS (Dimensions in mm unless otherwise stated)

Option T1



Option T2



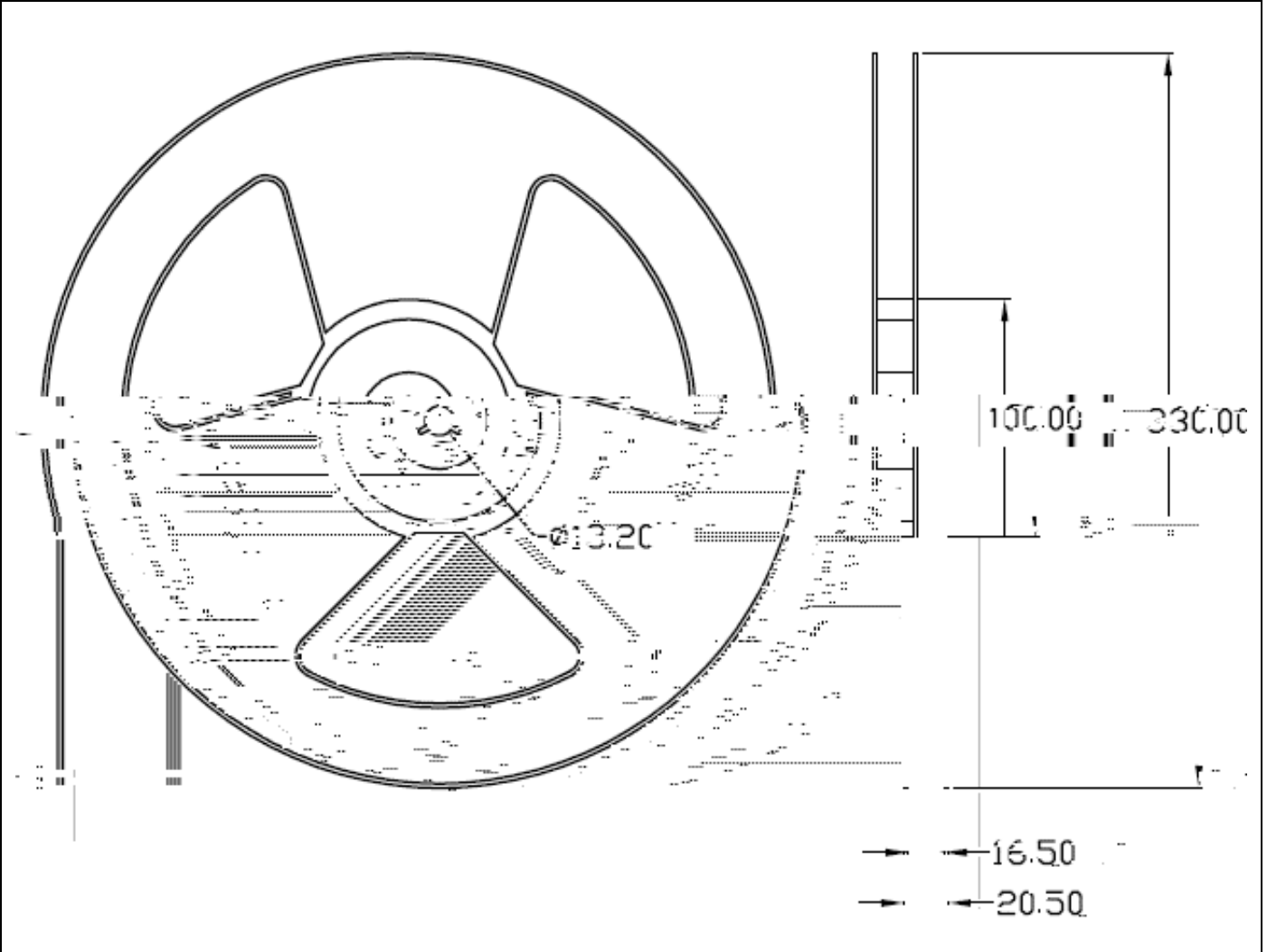


TD356 Series

SOP4, DC Input Photo Transistor Coupler

MECHANICAL SPECIFICATIONS (Dimensions in mm unless otherwise stated)

Option T1 > T2

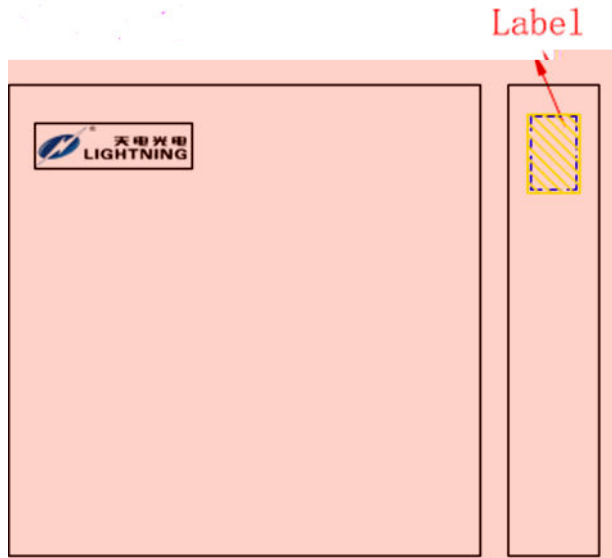




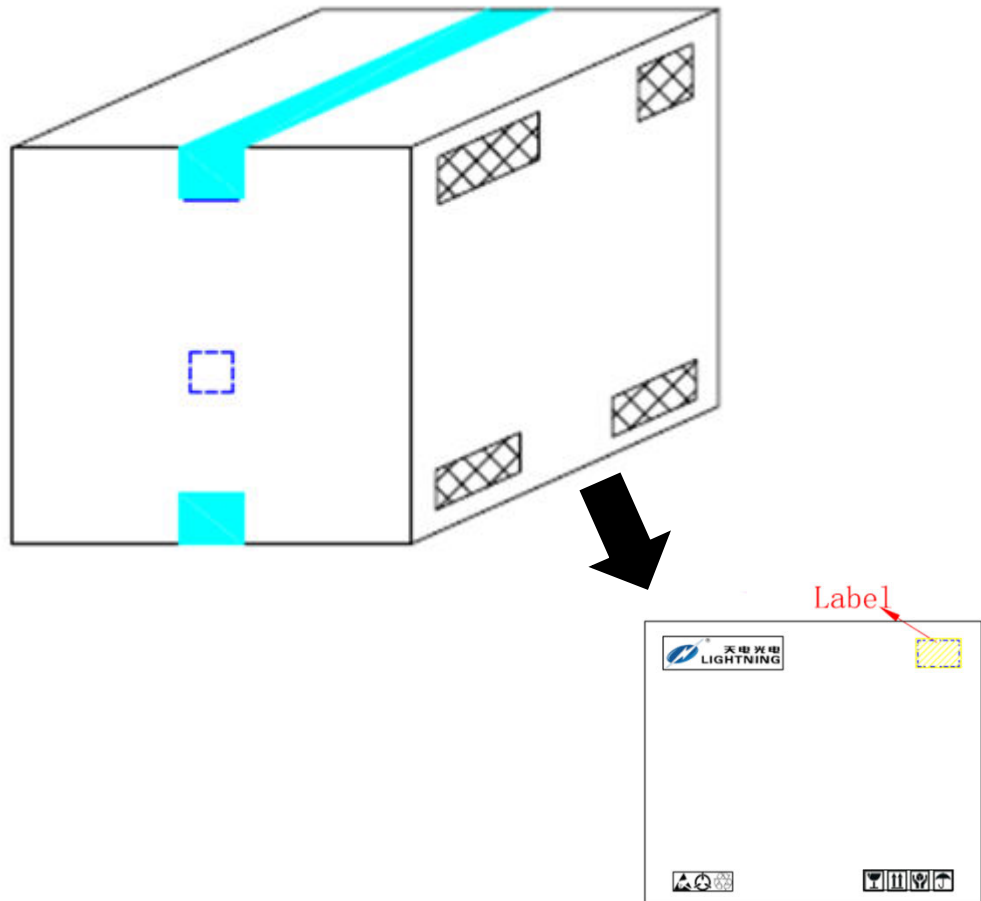
TD356 Series SOP4, DC Input Photo Transistor Coupler

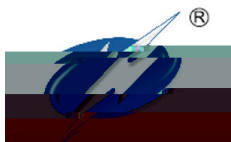
Inner Specifications

Inner Specifications



Outer Specifications



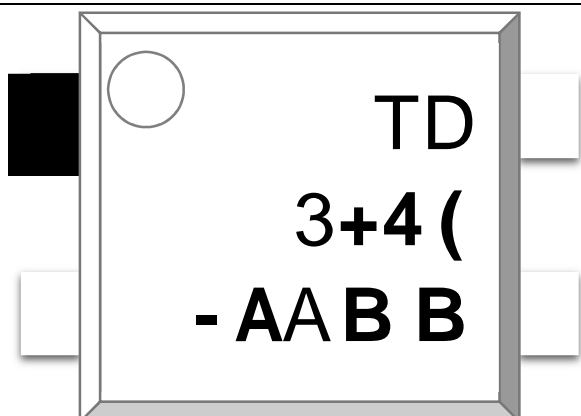


TD356 Series

SOP4, DC Input Photo Transistor Coupler

ORDERING AND MARKING INFORMATION

MARKING INFORMATION



TD @ Com%an< A11r.
 3+4 @ Part N&m1er
 (@ CT) an2
 - @ - DE O%tion
 A @ Fi\$cal Aear
 A @ Man&7act&rin. Code
 B B @ Bor2 Bee2

ORDERING INFORMATION

TD3+4 (CD=3 ! -

PART NUMBER INFORMATION

9 , "
 9 4
 B 9 * ! 5 ! : ! , ! 4 7
 J 9 * 5 0 ! @7
 9
) 9) 1 5) 4 7

福建天电光电有限公司
FUJIAN LIGHTNING OPTOELECTRONIC CO., LTD.
 Part No : XXXXXXXXXXXXXXXX Bin Code : X

 Lot No : XXXXXXXXXXXX
 Date Code : XXXX
 Q'ty : XXXX pcs

PACKAGE ANTIFLAG INFORMATION

Option	E&antit<	E&antit< F Inner 1o?	E&antit< F O&ter 1o?
0	(((3 *	* > -	> -I - C ! 3
@	(((3 *	* > -	> -I - C ! 3



TD356 Series

SOP4, DC Input Photo Transistor Coupler

OBJECT INFORMATION

OBJECT PROFILE

Profile Feature

Sn3P1 Assembly Profile

P13Free Assy



TD356 Series

SOP4, DC Input Photo Transistor Coupler

DISC#AIME)

2> & 4>4 % < \$ \$ " 2> & 4>4
% ! "
% "
2> & 4>4 ! \$ " -
- \$ 2> & 4>4 5 7 \$
\$ 5 7 \$ \$
< \$ 5 7 \$ \$
\$ < \$ % \$ I% < \$
\$. " "
\$ \$ % \$ \$ "
% L "
2> & 4>4 < "
> || "
% % % "
% " \$ % % "
|| - " -
2> & 4>4 || \$
- " "
! \$. ">
"