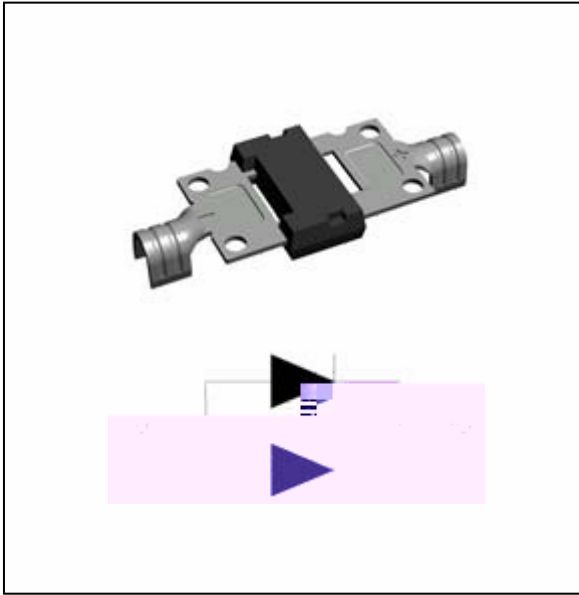




# GFMK6045C

## Schottky Bypass Diode Module



### Features

### Typical Applications

### Mechanical Data

Package:

Terminals:

Polarity:

### Maximum Ratings

PARAMETER	SYMBOL	UNIT	GFMK6045C

Note

### Electrical Characteristics

PARAMETER	SYMBOL	UNIT	TEST CONDITIONS	GFMK6045C



# GFMK6045C

## Thermal Characteristics

PARAMETER	SYMBOL	UNIT	GFMK6045C

Note

## Ordering Information

PREFERRED P/N	UNIT WEIGHT(g)	MINIMUM PACKAGE(pcs)	INNER BOX QUANTITY(pcs)	OUTER CARTON QUANTITY(pcs)	DELIVERY MODE

## Characteristics

FIG1:Io -Tc Curve

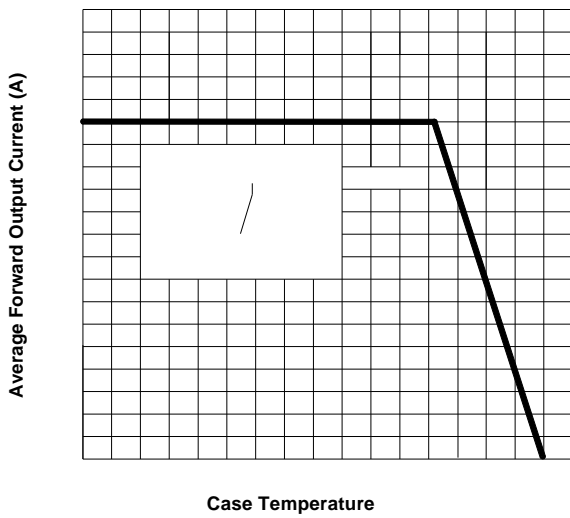


FIG2:Surge Forward Current Capability

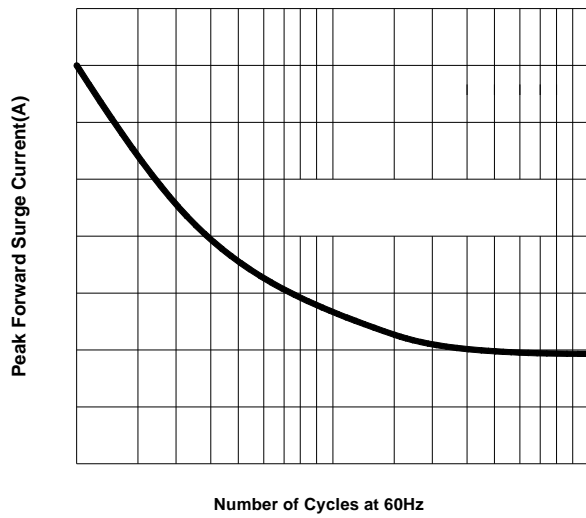


FIG3:Instantaneous Forward Voltage

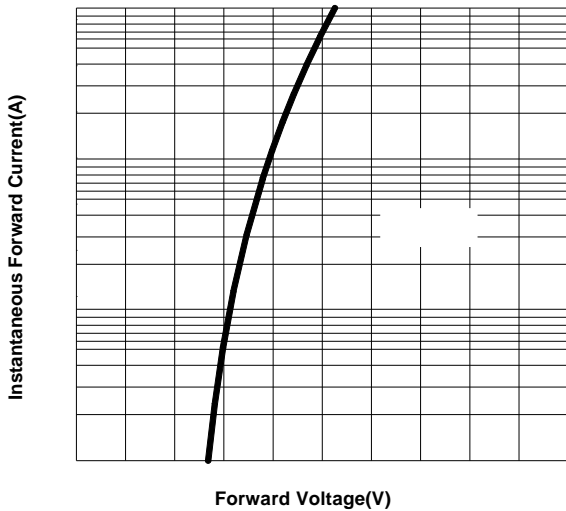
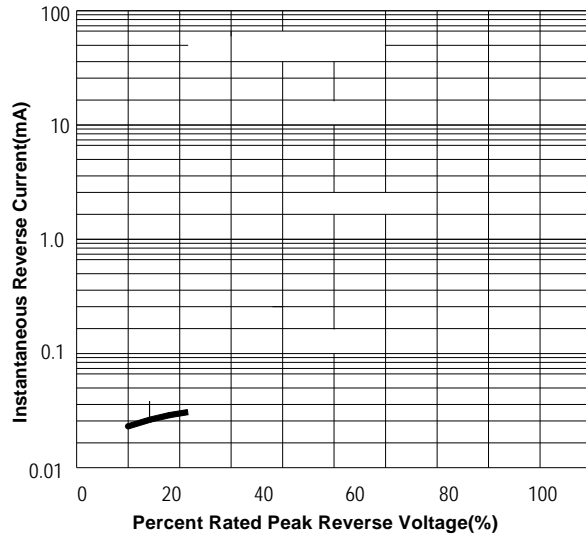


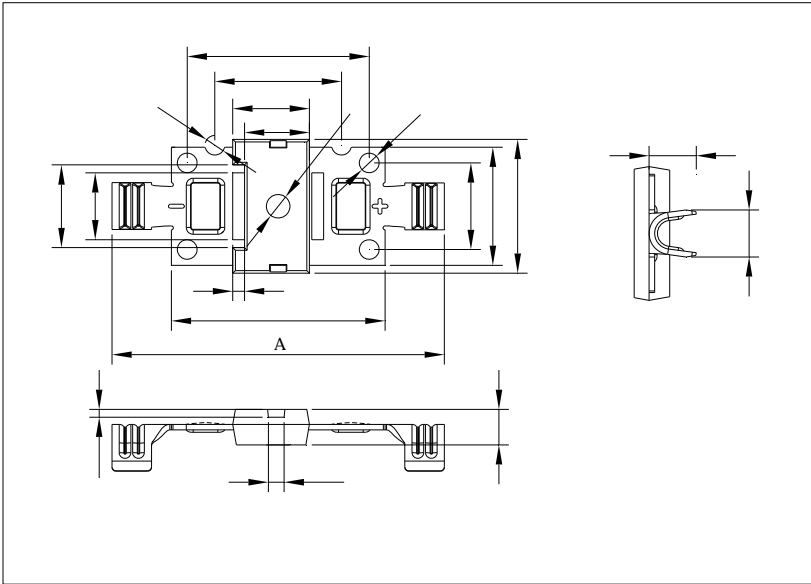
FIG4:Instantaneous Reverse Characteristics





# GFMK6045C

## Outline Dimensions



	35	65	
	3	7	
	7	3	



**GFMK6045C**

---

**Disclaimer**

---