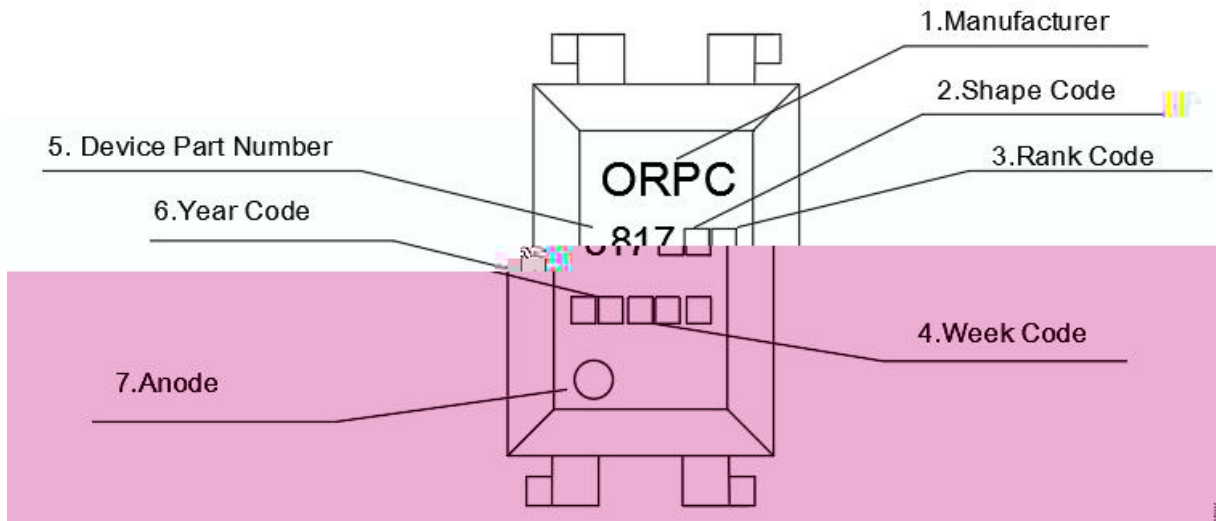




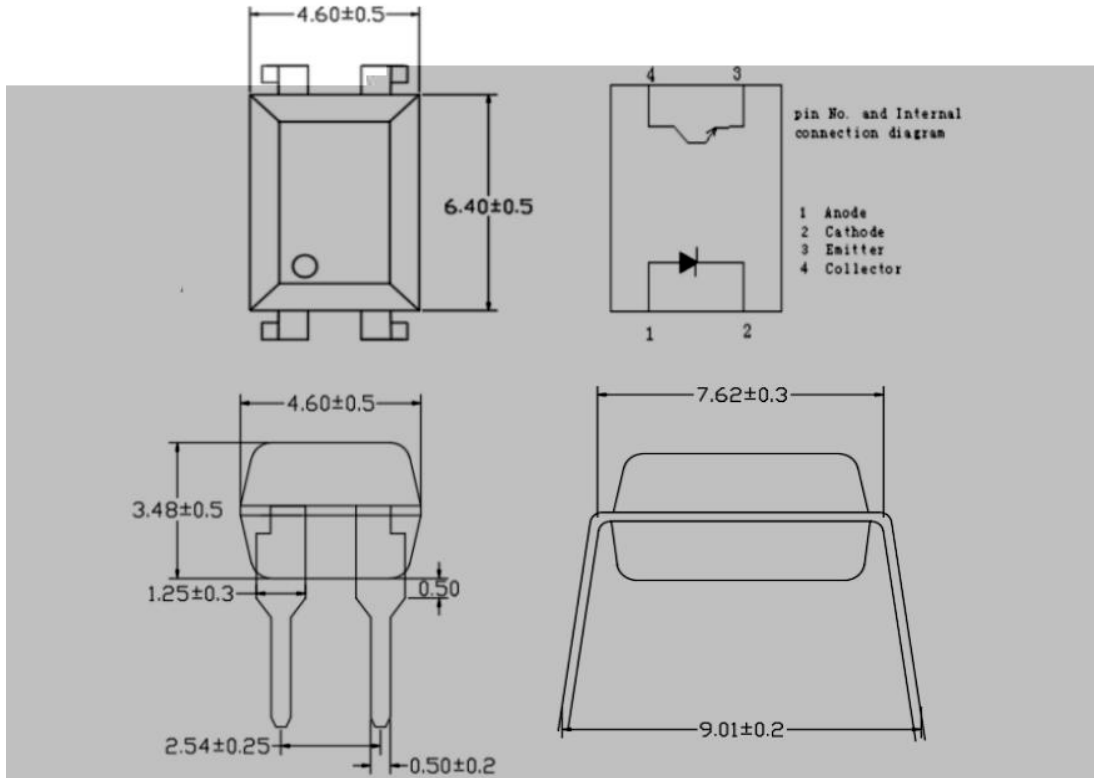
Shenzhen Orient Components Co., Ltd

7. Naming Rule



8. Package Dimension (Unit mm)

() -



() -

