



YJD106520NQG2

RoHS
COMPLIANT

Silicon Carbide Schottky Diode

Features

Typical Applications

Mechanical Data
Package



YJD106520NQG2

RoHS
COMPLIANT

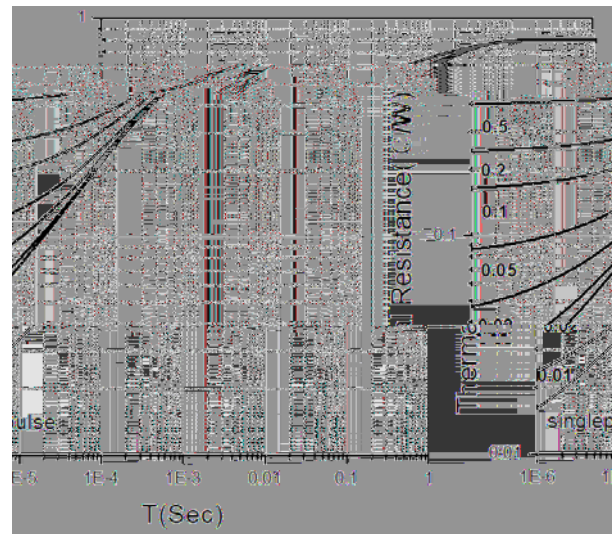
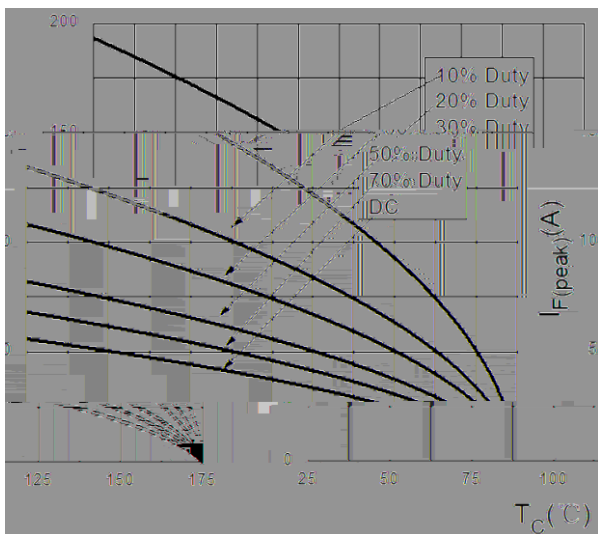
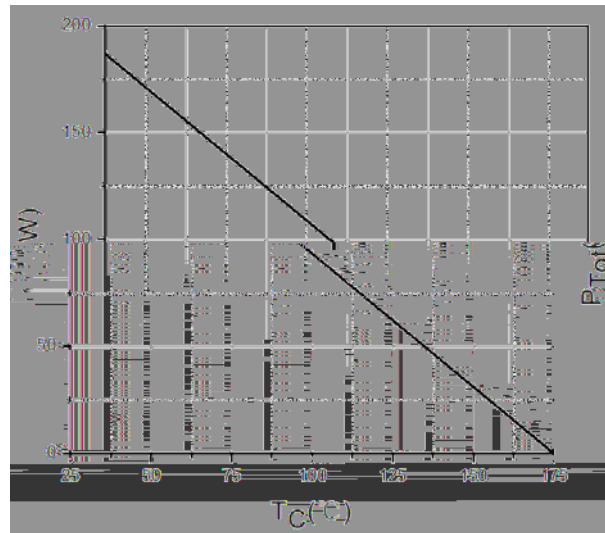
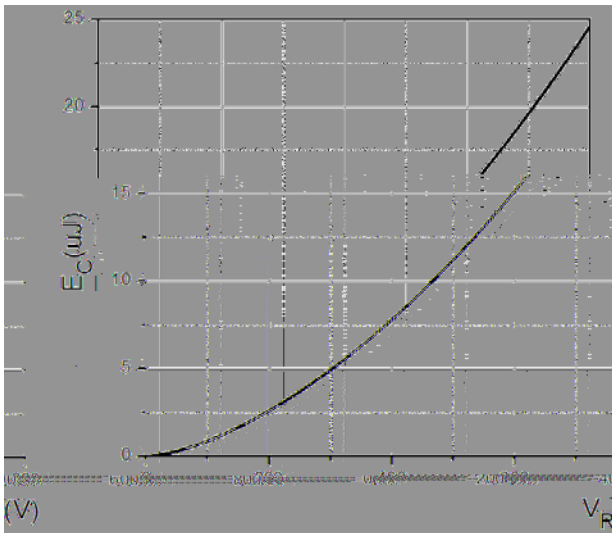
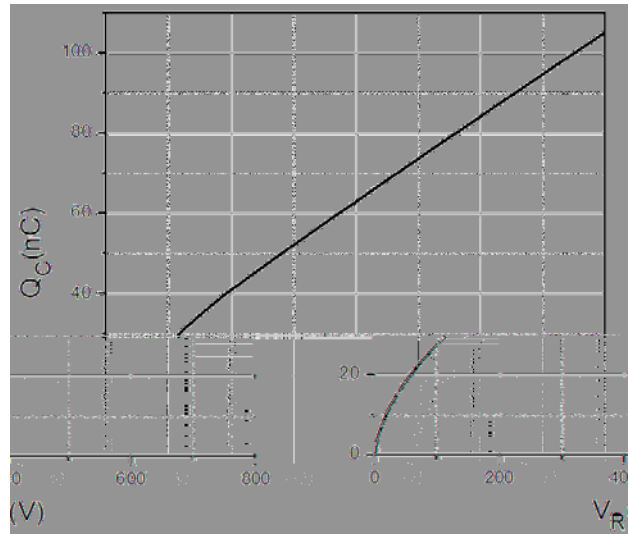
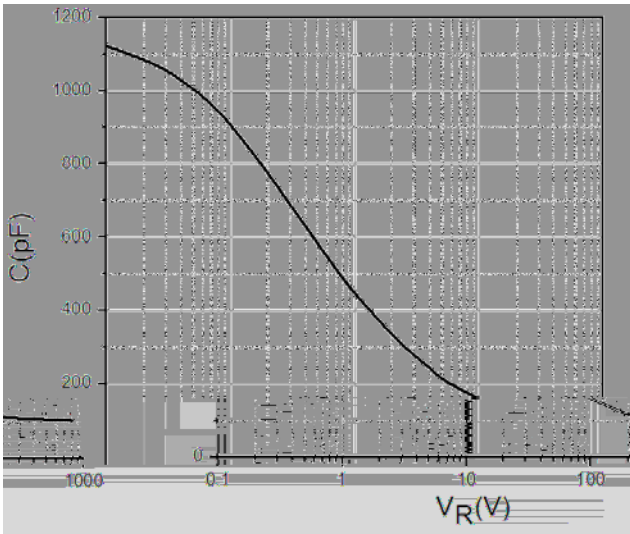
Electrical Characteristics

PARAMETER	SYMBOL	UNIT	TEST CONDITIONS	Typ.	Max.
-----------	--------	------	-----------------	------	------



YJD106520NQG2

RoHS
COMPLIANT





YJD106520NQG2

RoHS
COMPLIANT

Disclaimer
