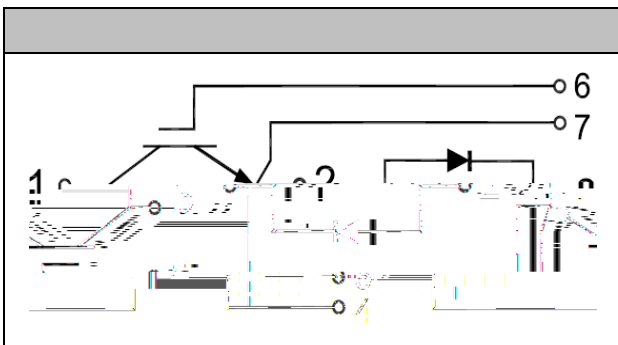


## IGBT Modules

<b>V<sub>CES</sub></b>	1200V
<b>I<sub>C</sub></b>	150A

## Applications

- Inverter for motor drive
- AC and DC servo drive amplifier
- UPS (Uninterruptible Power Supplies)
- Soft switching welding machine



## Features

- Low V<sub>ce(sat)</sub> with Trench technology
- V<sub>ce(sat)</sub> with positive temperature coefficient
- High short circuit capability(10us)
- Including ultra fast & soft recovery anti-parallel FWD
- Low inductance
- Maximum junction temperature 175

## ● IGBT

### Absolute Maximum Ratings

Parameter	Symbol	Conditions	Value	Unit
Collector-Emitter Voltage	V <sub>CES</sub>	V <sub>GE</sub> =0V, I <sub>C</sub> =1mA, T <sub>vj</sub> =25	1200	V
Continuous Collector Current	I <sub>C</sub>	T <sub>C</sub> =100	150	A
Repetitive Peak Collector Current	I <sub>CRM</sub>	tp=1ms	300	A
Gate-Emitter Voltage	V <sub>GES</sub>	T <sub>vj</sub> =25	20	V
Total Power Dissipation	P <sub>tot</sub>	T <sub>C</sub> =25 T <sub>vjmax</sub> =175	833	W



## Characteristic values

Parameter	Symbol	Conditions	Value			Unit	
			Min.	Typ.	Max.		
Gate-emitter Threshold Voltage	$V_{GE(th)}$	$V_{GE}=V_{CE}, I_C=4mA, T_{vj}=25$	5.0	6.2	7.0	V	
Collector-Emitter Cut-off Current	$I_{CES}$	$V_{CE}=1200V, V_{GE}=0V, T_{vj}=25$			1.0	mA	
Collector-Emitter Saturation Voltage	$V_{CE(sat)}$	$I_C=150A, V_{GE}=15V, T_{vj}=25$		1.85		V	
		$I_C=150A, V_{GE}=15V, T_{vj}=125$		2.05			
Gate Charge	$Q_G$			1.56		uC	
Input Capacitance	$C_{ies}$	$V_{CE}=25V, V_{GE}=0V,$ $f=1MHz, T_{vj}=25$		11.0		nF	
Reverse Transfer Capacitance	$C_{res}$			0.5		nF	
Gate-Emitter leakage current	$I_{GES}$	$V_{CE}=0V, V_{GE}=20V, T_{vj}=25$			400	nA	
Turn-on Delay Time	$t_{d(on)}$	$I_C=150A$ $V_{CE}=600V$ $V_{GE}=\pm 15V$ $R_G=4.7$ $T_{vj}=25$		347		ns	
Rise Time	$t_r$			75		ns	
Turn-off Delay Time	$t_{d(off)}$			375		ns	
Fall Time	$t_f$			181		ns	
Energy Dissipation During Turn-on Time	$E_{on}$			8.9		mJ	
Energy Dissipation During Turn-off Time	$E_{off}$			9.3		mJ	
Turn-on Delay Time	$t_{d(on)}$		$I_C=150A$ $V_{CE}=600V$ $V_{GE}=\pm 15V$ $R_G=4.7$ $T_{vj}=125$		352		ns
Rise Time	$t_r$				81		ns
Turn-off Delay Time	$t_{d(off)}$				301		ns
Fall Time	$t_f$				327		ns
Energy Dissipation During Turn-on Time	$E_{on}$			11.9		mJ	
Energy Dissipation During Turn-off Time	$E_{off}$			16.0		mJ	
SC Data	$I_{sc}$	$T_p=10\mu s, V_{GE}=15V,$ $T_{vj}=150, V_{cc}=900V,$ $V_{CEM}=1200V$			890		A



## ● Diode

### Absolute Maximum Ratings

Parameter	Symbol	Conditions	Value	Unit
Repetitive Peak Reverse Voltage	$V_{RRM}$	$T_{vj}=25$	1200	V
Continuous DC Forward Current	$I_F$		150	A
Repetitive Peak Forward Current	$I_{FRM}$	$t_p=1\text{ms}$	300	A

### Characteristic values

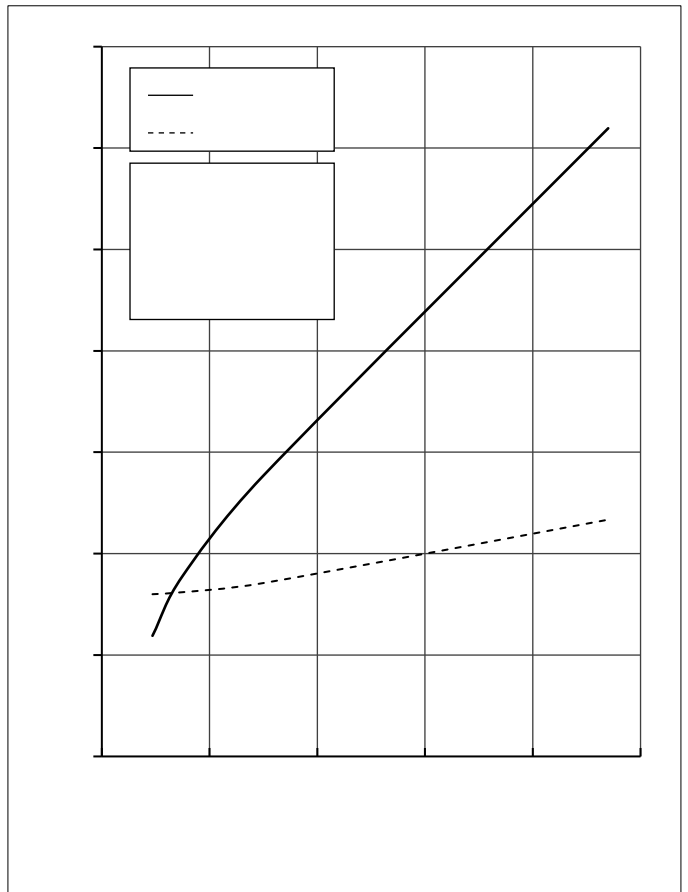
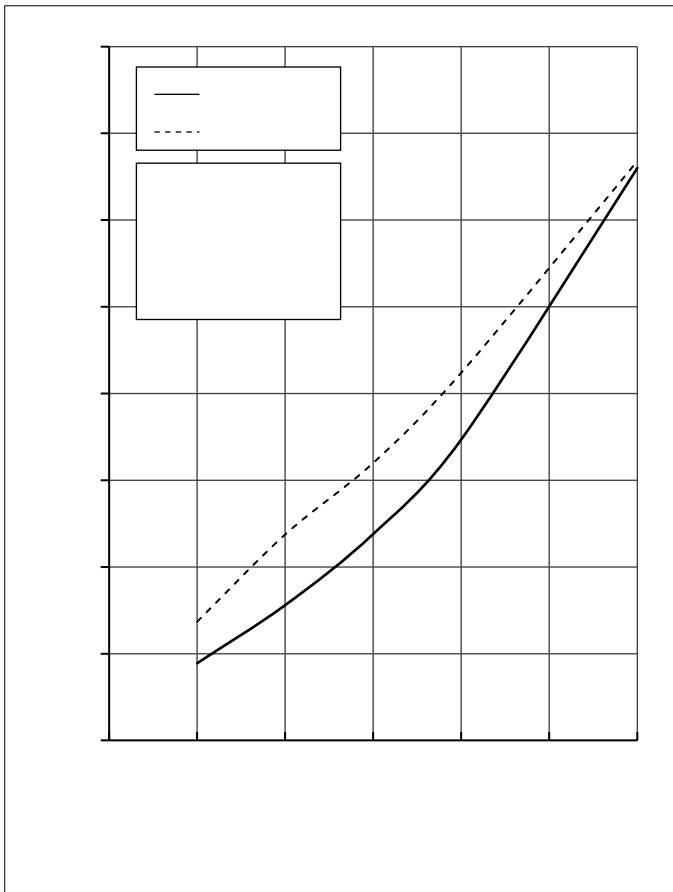
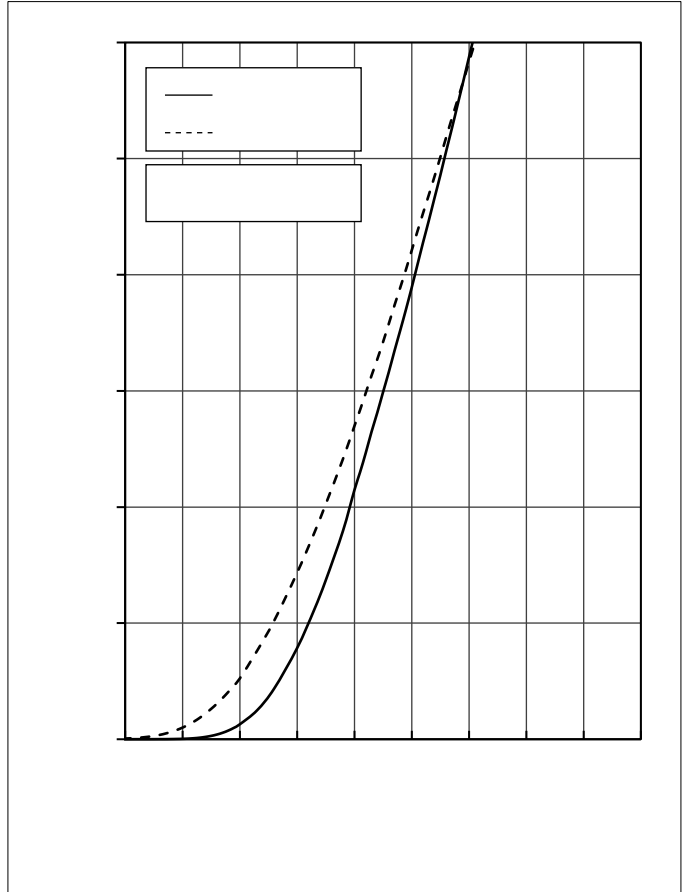
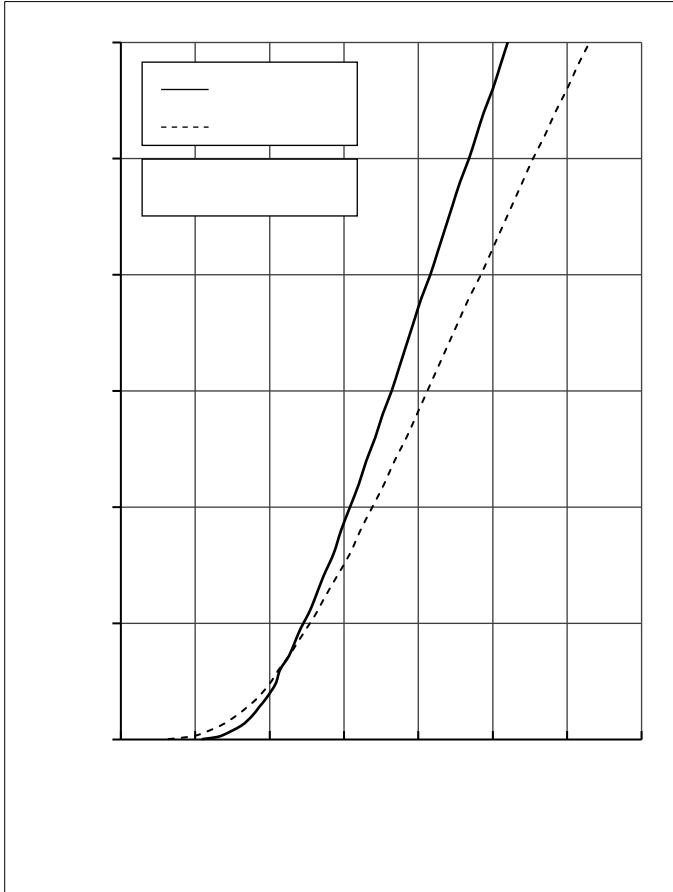
Parameter	Symbol	Conditions	Value			Unit
			Min.	Typ.	Max.	
Forward Voltage	$V_F$	$I_F=150\text{A}, T_{vj}=25$		1.80	2.00	V
		$I_F=150\text{A}, T_{vj}=125$		1.85		
Recovered Charge	$Q_{rr}$	$I_F = 150\text{ A}$		14.0		$\mu\text{C}$
Peak Reverse Recovery Current	$I_{rr}$	$V_R=600\text{V}$ $-di_F/dt = 2250\text{A}/\mu\text{s}$		143		A
Reverse Recovery Energy	$E_{rec}$	$T_{vj}=25$		9.5		mJ
Recovered Charge	$Q_{rr}$	$I_F = 150\text{ A}$		18.5		$\mu\text{C}$
Peak Reverse Recovery Current	$I_{rr}$	$V_R=600\text{V}$ $-di_F/dt = 2250\text{A}/\mu\text{s}$		179		A
Reverse Recovery Energy	$E_{rec}$	$T_{vj}=125$		17.5		mJ



## ● Module Characteristics

T<sub>c</sub>=25°C unless otherwise specified

Parameter	Symbol	Conditions	Value			Unit
			Min.	Typ.	Max.	
Isolation voltage	V <sub>isol</sub>	t=1min,f=50Hz	2500			V
Maximum Junction Temperature	T <sub>jmax</sub>				175	
Operating Junction Temperature	T <sub>vjop</sub>		-40		150	
Storage Temperature	T <sub>stg</sub>		-40		125	
Thermal Resistance Junction-to Case	R <sub>JC</sub>	per IGBT			0.18	K/W
		per Diode			0.31	
Thermal Resistance Case-to Sink	R <sub>CS</sub>	Conductive grease applied		0.035		K/W
Module Electrodes Torque	M <sub>t</sub>	Recommended(M6)	3.0		5.0	N·m
Module-to-Sink Torque	M <sub>s</sub>	Recommended(M6)	3.0		5.0	N·m
Weight of Module	G			315		g



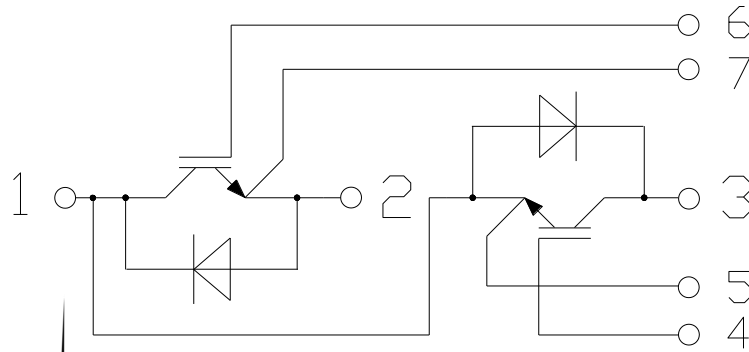
# MG150HF12TLC2

---





## ● Circuit Diagram



● M d L ifk fkd fl k

## Dimensions in Millimeters

