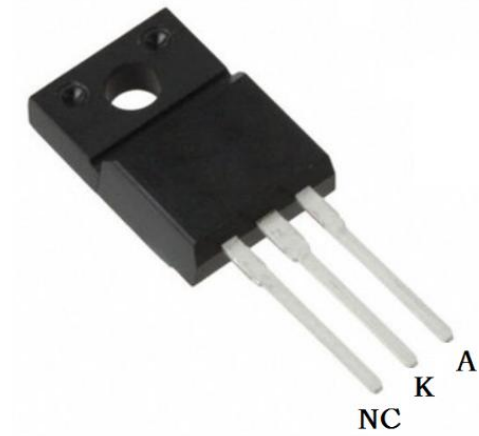


DK5V85R15ST1 ● USB
 A K ●
 PN 85V NMOS ● LED

DK5V85R15ST1 TO-220F

- PSR SSR
- V_F
-
- 85V 15m NMOS
- CCM DCM&QR
-
- EMI/C
-
-



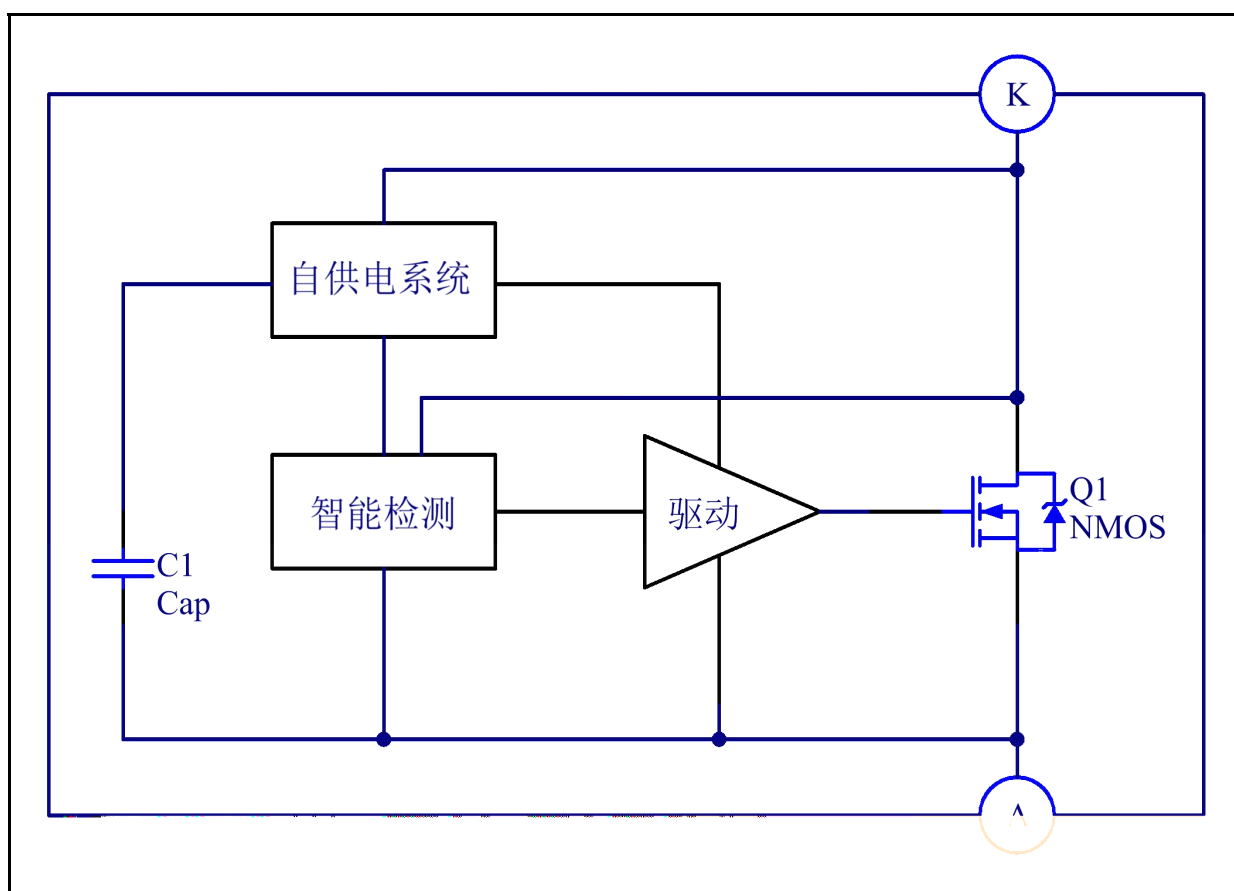
| | | |
|---|----|--|
| | | |
| 1 | NC | |
| 2 | K | |
| 3 | A | |

| | | |
|--|--|--|
| | | |
| | | |

45

, DK5V85R15ST1

4A



| | | | | | |
|-------|---------------|-----|--------|-----|---------------|
| | | | | | |
| NMOS | $V_{(BR)DSS}$ | 85 | | | V |
| TO220 | P_{DMAX} | | 33 | | W |
| | R_{JA} | | 62.5 | | $^{\circ}C/W$ |
| | R_{JC} | | 3.8 | | $^{\circ}C/W$ |
| | T_{STG} | -55 | | 155 | $^{\circ}C$ |
| | T_J | -40 | | 150 | $^{\circ}C$ |
| | | | 260/5S | | $^{\circ}C$ |

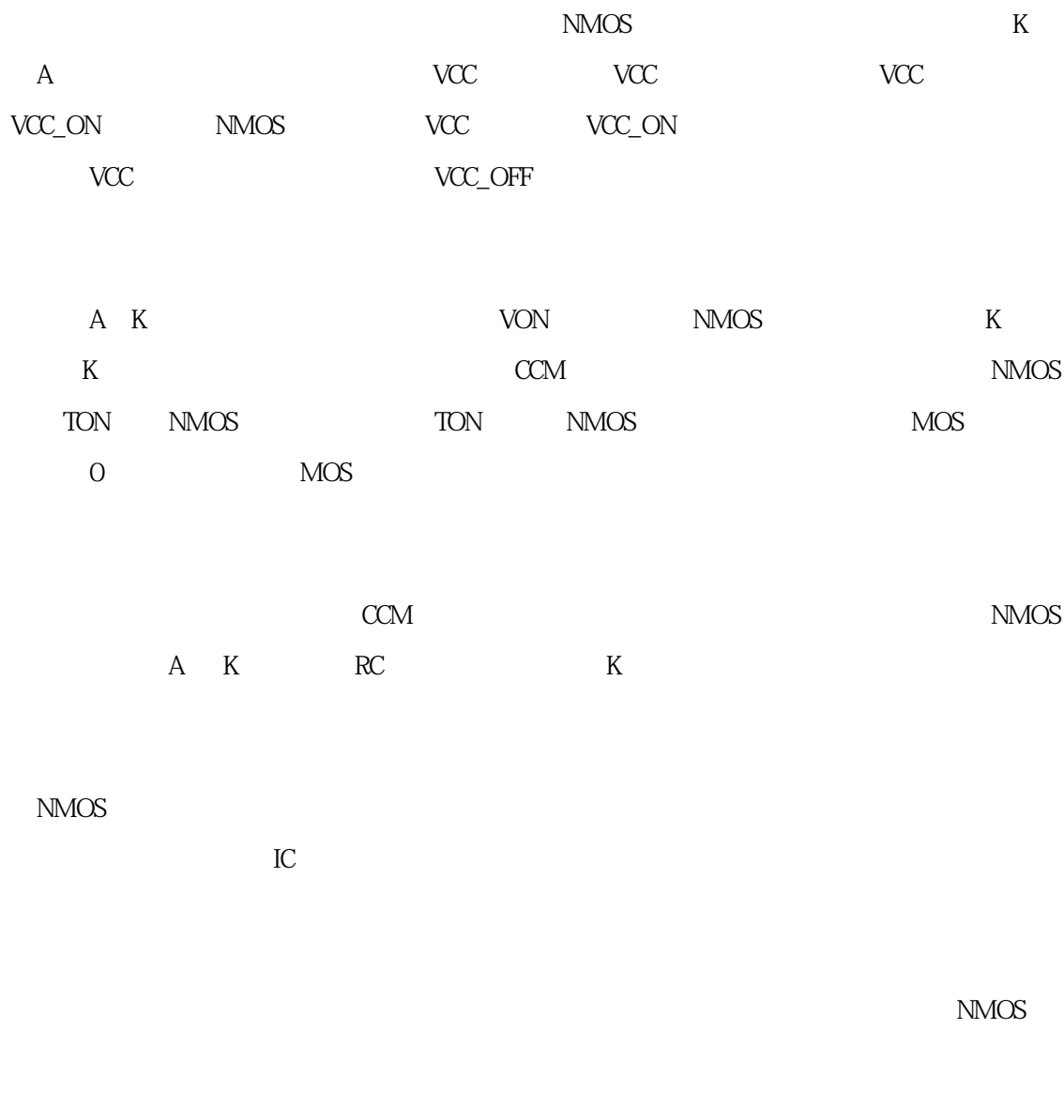
 $T_A = 25^{\circ}C$

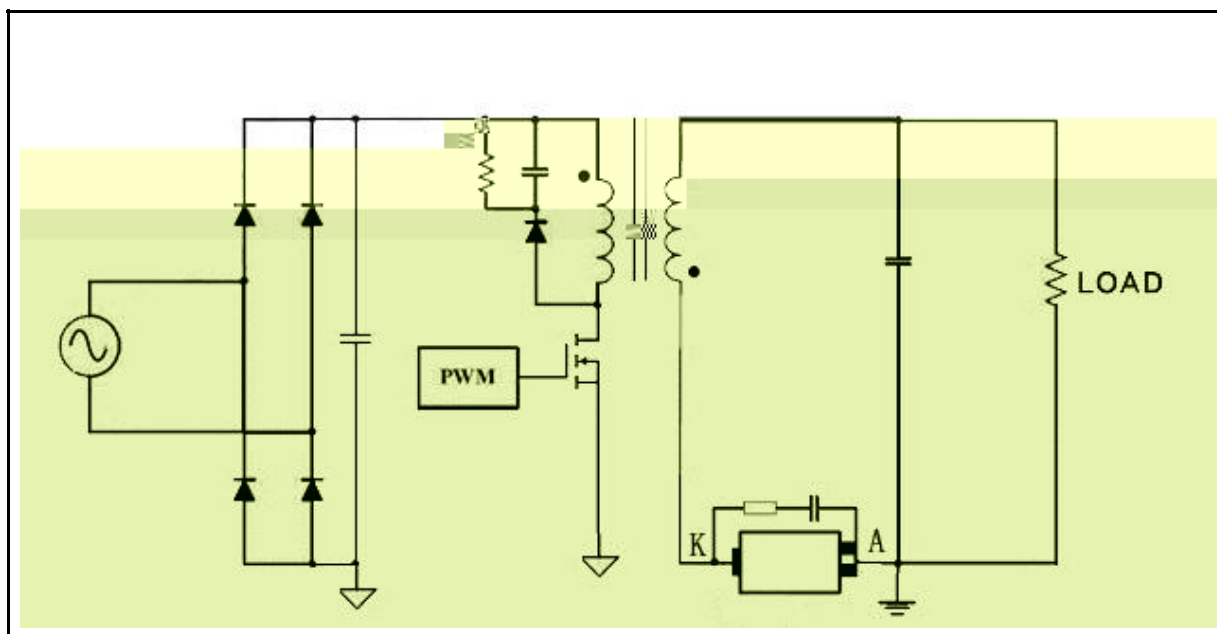
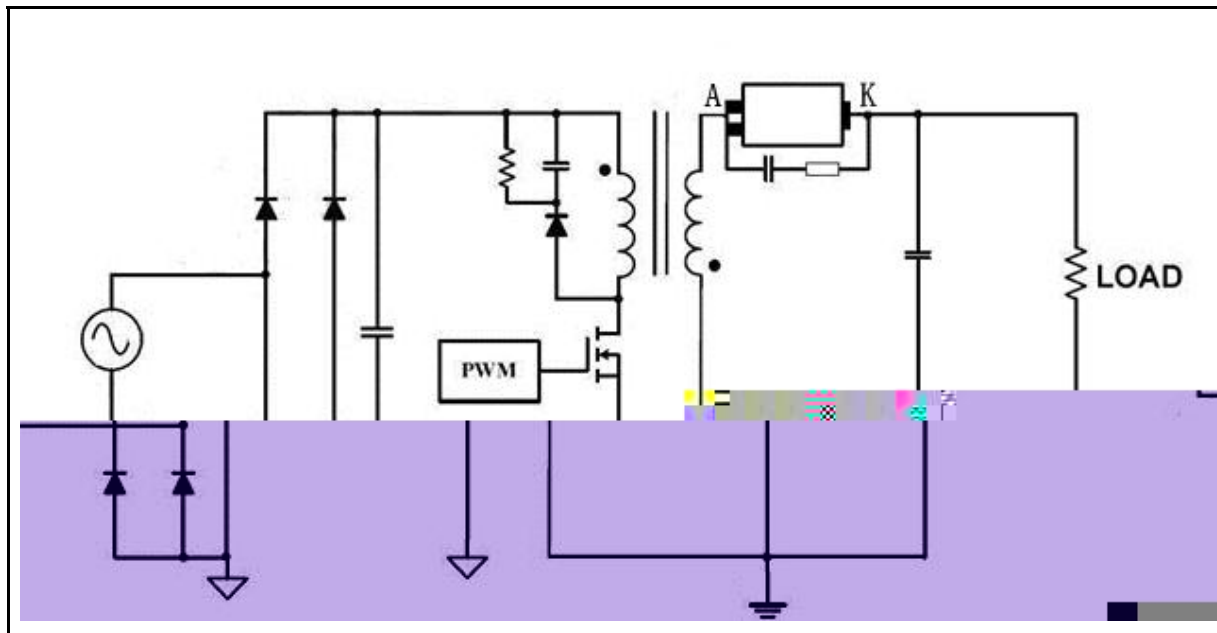
| | | | | | | |
|------|----------------|---|--|------|-----|---------|
| | | | | | | |
| | V_{CC_ON} | | | 7.2 | | V |
| | V_{CC_OFF} | | | 3.3 | | V |
| | V_{OVP} | | | 10 | | V |
| NMOS | V_{ON} | K | | -220 | | mV |
| NMOS | T_{DON} | | | | 150 | ns |
| NMOS | T_{DOFF} | | | | 50 | ns |
| NMOS | T_{ON_MAX} | | | 20 | | μs |
| NMOS | T_{ON_MIN} | | | 200 | | ns |
| NMOS | T_{OFF_MIN} | | | 500 | | ns |
| | T_D | | | 400 | | ns |
| | F_S_MAX | | | | 150 | KHz |
| NMOS | R_{DS_ON} | | | | 15 | m |

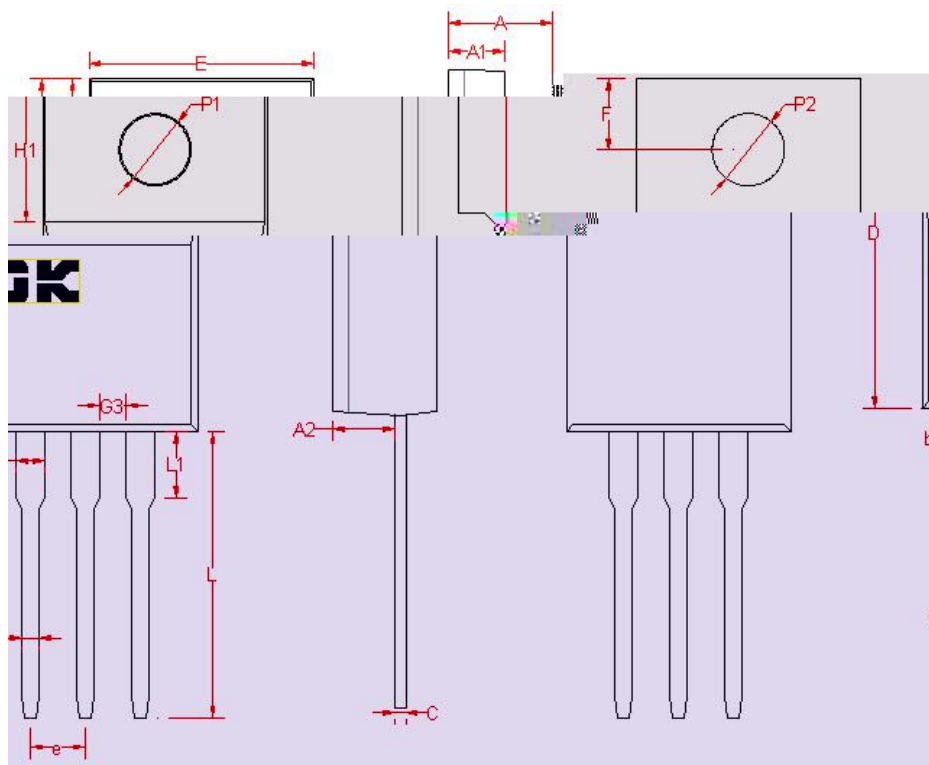
A

K

DK5V85R15ST1







| A | 4.65 | 4.72 | 4.80 |
|----|---------|-------|-------|
| A1 | 2.50 | 2.55 | 2.60 |
| A2 | 2.70 | 2.75 | 2.80 |
| C | 0.50 | 0.55 | 0.60 |
| E | 10.05 | 10.15 | 10.25 |
| H1 | 6.70REF | | |
| D | 15.80 | 16.00 | 16.20 |
| G3 | 1.20 | 1.30 | 1.40 |
| b1 | 1.25 | 1.35 | 1.45 |
| b2 | 0.80 | 0.85 | 0.90 |
| e | 2.54BSC | | |
| L | 12.90 | 13.00 | 13.10 |
| L1 | 2.95 | 3.00 | 3.05 |
| P1 | 3.12 | 3.15 | 3.18 |
| P2 | 3.25 | 3.30 | 3.35 |
| F | 3.20 | 3.30 | 3.40 |

| | |
|--|------------|
| <p>WARNING!</p>  <p>ESD SENSITIVE DEVICE</p> | <p>ESD</p> |
|--|------------|

-
-
-
-
-
-
-
-