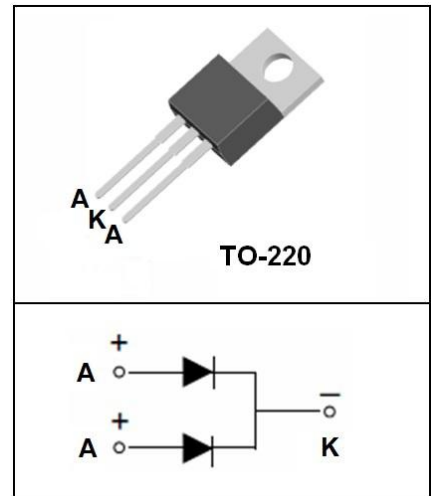


- 
- 
- 
- 
- 
- 
- 
- 
- 



( 2 ° )

( )	, 120°C	10 ( )	
	, .3	12	
		1 0	°
		- +1 0	°

( 2 ° )

	,	2.	° /
	,	10	° /

( 2 ° )

		100		
		2 °	0.1	
		12 °	0	
		2 °	0. 3	
		12 °	0.	
	10	2 °	0. 3	
	10	12 °	0.	



	.00	. 0		. 0		10. 0
	1.1	1.			2.	
1	0. 0	1. 0		1.10		1. 0
1	0.	0.		12. 0		1 . 0
	0.30	0. 0	1	2. 0	3. 0	3. 0
	1 . 0	1 . 0		2. 0		3.10
1	. 0	. 0	1	2.00		3.00
			$\phi$	3. 0		.00

