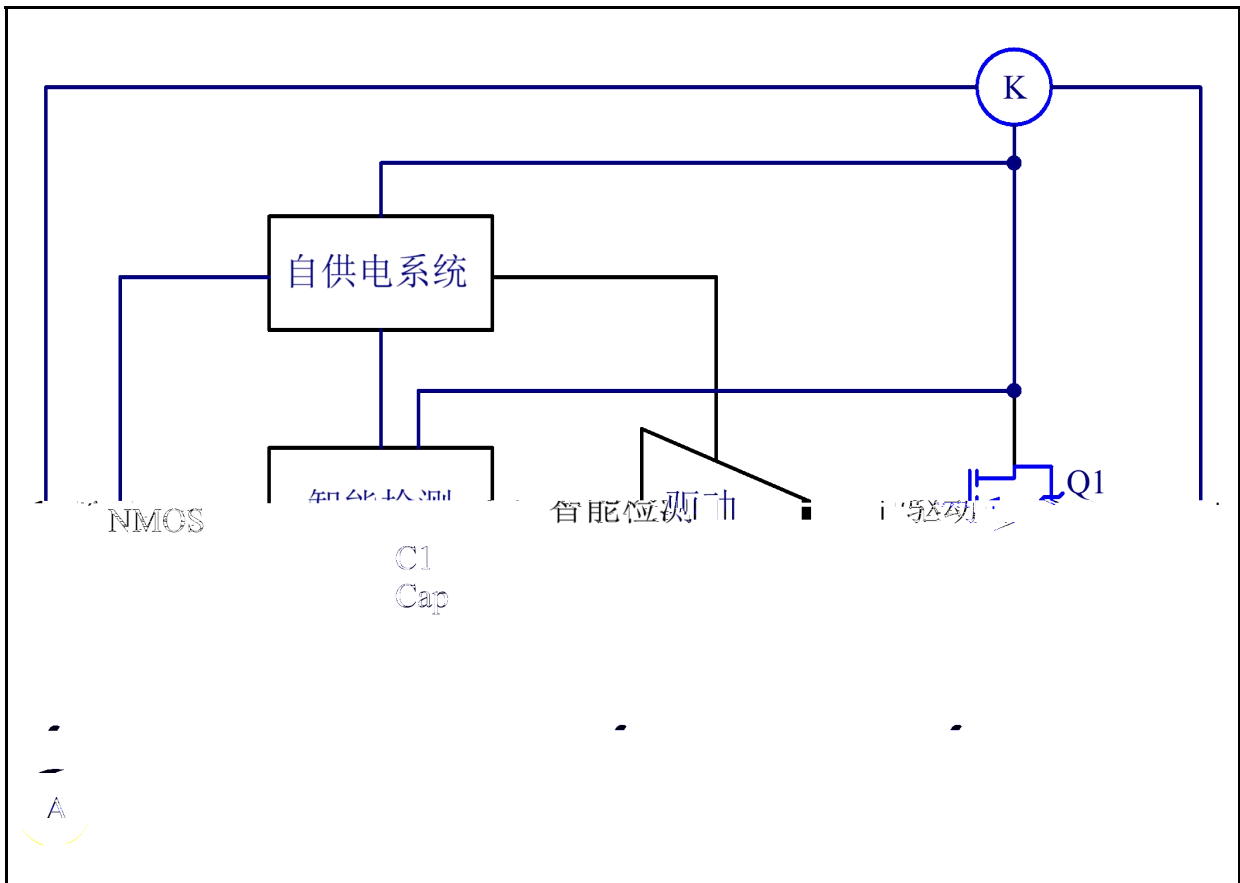


	C	
	A	

<b>DK5V85R15SL</b>	<b>85-265VAC</b>	<b>12V, 3.1A</b>

A

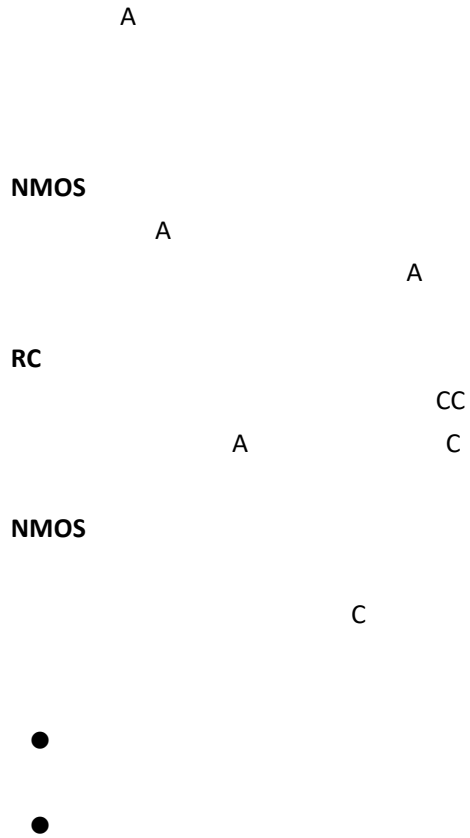


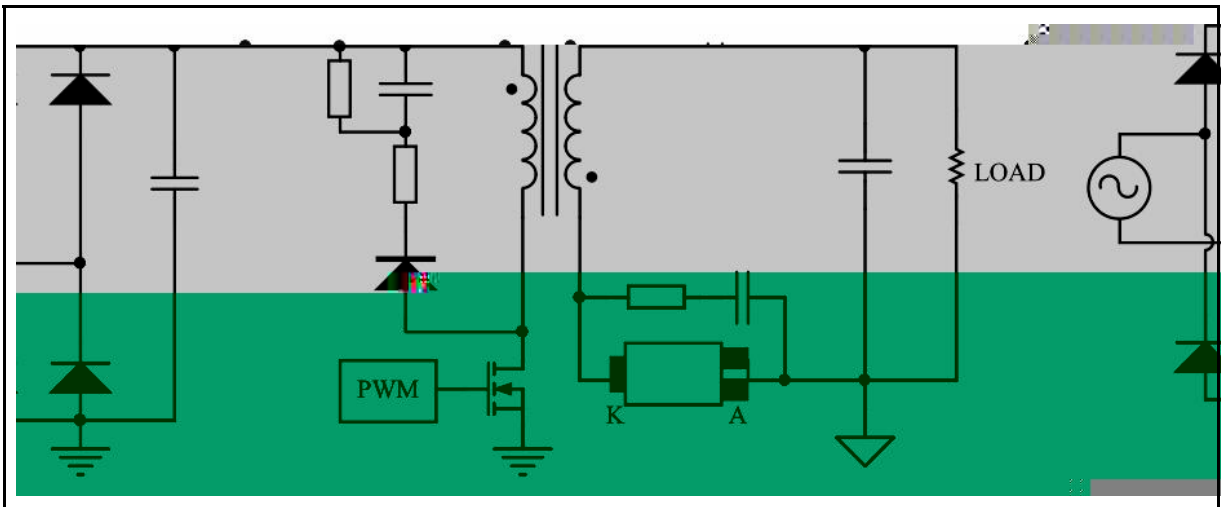
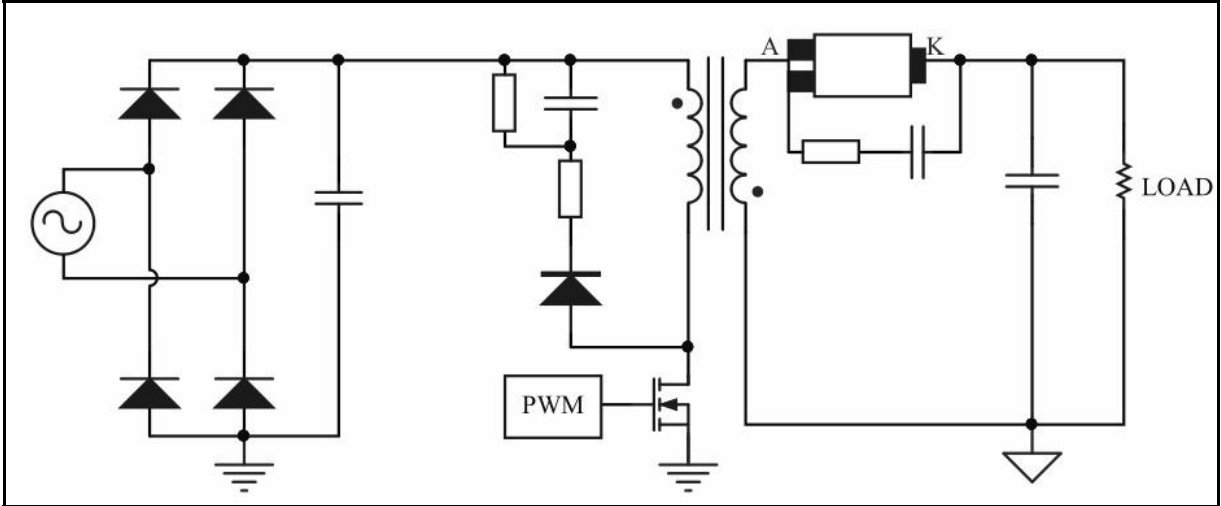
	B				
	C C				A
	C				A
	A				
	A				
	C				
B			±		
			±		

A


	CC					
	CC					
<b>&amp;</b>						
	A					
	A					
<b>NMOS</b>						

A







<p><b>WARNING!</b></p>  <p>ESD SENSITIVE DEVICE</p>	<p>ESD</p>
--	------------

- ▼
- ▼
- ▼
- ▼
- ▼
- ▼
- ▼
  
- ▼